

# ALL SS SANITARY PRESSURE GAUGE

## DIAPHRAGM TYPE (50 mm & 63 mm)



IPS-PG-11

### SPECIAL FEATURES

- STAINLESS STEEL CASE & MEASURING SYSTEM
- LASER WELDED DIAPHRAGM
- DRY OR LIQUID FILLED
- DIAPHRAGM SEAL INTEGRALLY BUILT WITH GAUGE.
- REDUCES THE EFFECT OF VIBRATION / PULSATION
- POLISHED DIAPHRAGM PROVIDES BEST HYGIENE FACTOR
- STANDARD FOLLOWED EN 837-3

### APPLICATIONS

THESE INSTRUMENTS ARE DESIGNED FOR SANITARY, FOOD, PROCESS & PHARMACEUTICAL & PAINT INDUSTRY. BACTERIAL & FUNGAL ACCUMULATES WHICH CONTAMINATE THE PROCESS ARE ELIMINATED.

THE MIRROR FINISHING OF THE COMPONENTS ASSURES THE BEST HYGIENE.

### SPECIFICATIONS

#### STANDARD VERSION : 50 mm & 63 mm

Accuracy	: ±1.6% of F. S.
Ambient temperature	: 10 to 60°C
Process temperature	: 10 to 150°C
Operating pressure range	: 75% of Scale Value
Over pressure limit	: 130% of Scale Value

Case & Bezel	: AISI 304 SS (Polished) (Bayonet Type)
Socket	: AISI 316 SS
Bourdon	: AISI 316L SS
Movement	: AISI 304 SS
Body	: AISI 316 SS
Joints	: Tig Argon Arc Welding
Diaphragm	: AISI 316L SS (Polished)
Sanitary Seal	: 11/2" size in AISI 316 SS (Without clamp, Gasket & Mating part)

Protection	: IP 65
Dial	: Aluminum, black graduation on white background
Pointer	: Aluminum, black coloured, fixed
Window	: Plexi Glass
Gasket	: Silicon rubber
Filling Plug	: Neoprene
Sealing Fluid	: Glycerin

#### DRY BUT FILLABLE VERSION (OPTION FG)

Fillable Dampening Liquid	: Glycerine 99.7%
Ambient Temperature	: Maximum 65°C
Process Temperature	: Maximum 65°C
Other Features	: Refer Specification of Standard Version

#### GLYCERINE FILLED VERSION (OPTION PY)

Accuracy	: ±1.6% of F. S.
Process Temperature	: Maximum 65°C
Ambient Temperature	: Maximum 65°C
Window	: Plexi Glass
Dampening Liquids	: Glycerine 99.7%
Other Features	: Refer Specification of Standard Version

#### Temperature effect:

The variation of indication caused by effects of temperature is to be calculated by below formula; which is to be added in the specified accuracy while measurement :-

Formula :  $\pm 0.08 \times (t_2 - t_1) \% \text{ of F. S.}$

where  $t_1$  = reference temperature (+20°C) and  $t_2$  = ambient temperature in °C.



**Industrix Precise Solutions Private Limited**

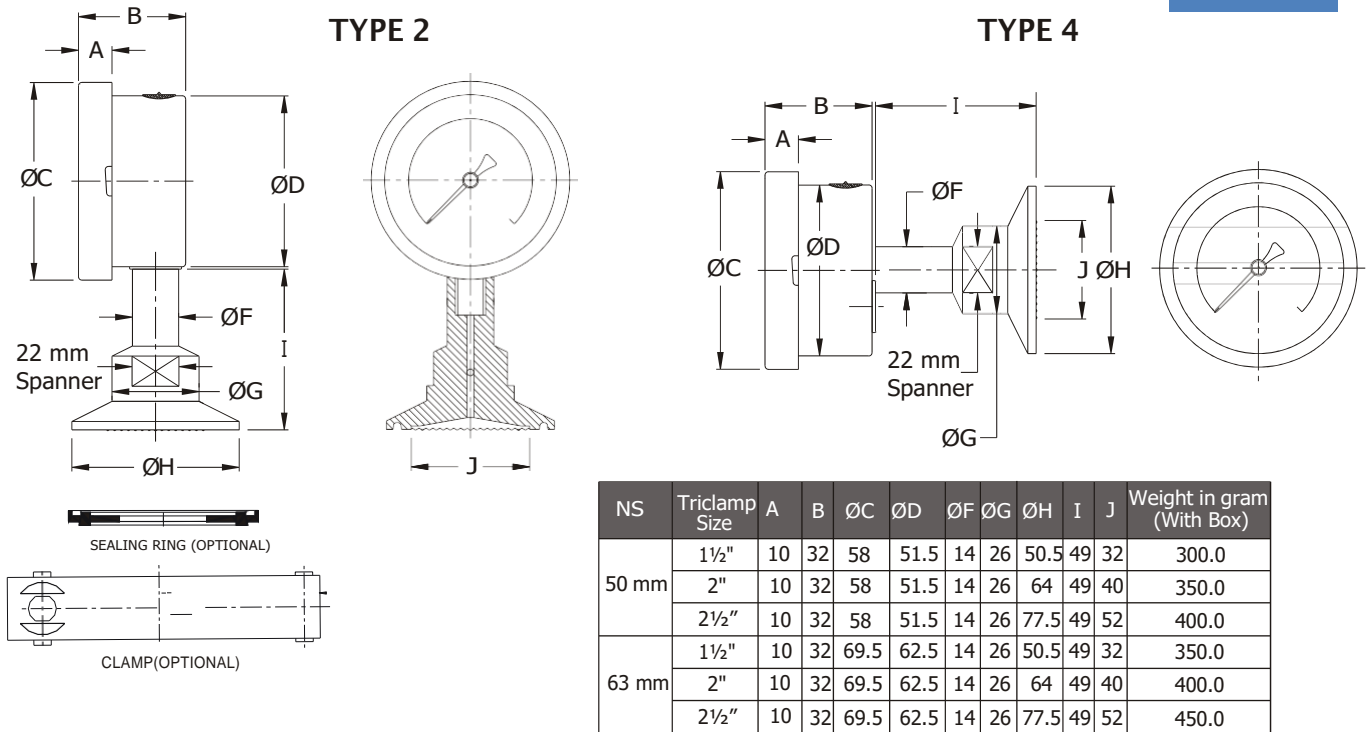
Room No – 303, Bhumika Residency, Plot No-21, Sector-20, Roadpali, Kalamboli, Panvel (Tal.), Raigad (Dist.), Maharashtra, India – 410218.

Mobile: +91 99309 98399 / +91 99674 97447

E-mail: [admin@ipspl.in](mailto:admin@ipspl.in) / [sales@ipspl.in](mailto:sales@ipspl.in) Website: [www.ipspl.in](http://www.ipspl.in)

CIN : U52399MH2021PTC368555

### DIMENSIONS - STANDARD VERSION



Notes : • Drawings are not to scale. • All Dimensions are in mm. • NS = Nominal Size.

### RANGE TABLE

**Note :** IP SPL offers National / International Scales like kPa, MPa, bar, psi, kg/cm<sup>2</sup> & Dual Scale like kPa with psi, kPa with bar, bar with psi or Equivalent scales as per the requirement can be provided on request.

Following are the example tables for kg/cm<sup>2</sup> with psi scales.

### PRESSURE RANGE

RANGE (PSI with kg/cm <sup>2</sup> )			
psi	kg/cm <sup>2</sup>	psi	kg/cm <sup>2</sup>
0/30	0/2	0/300	0/20
0/60	0/4	0/400	0/28
0/100	0/7	0/500	0/35
0/150	0/10	0/600	0/40
0/220	0/16		

### COMPOUND RANGE

RANGE (mmHg with kg/cm <sup>2</sup> & inHg with psi)			
mmHg with kg/cm <sup>2</sup>	inHg with psi	mmHg with kg/cm <sup>2</sup>	inHg with psi
-760/2	-30/ 30	-760/10	-30/ 150
-760/4	-30/60	-760/14	-30/200
-760/7	-30/100	-760/20	-30/300



IPS-PG-11

IPS-PG-11

## HOW TO ORDER

### BASIC MODEL

#### CODE

#### NOMINAL SIZE

C 50 mm      D 63 mm

#### TYPE OF MOUNTING

2 DIRECT BOTTOM ENTRY      4 DIRECT CENTER BACK ENTRY

#### SANITARY SEAL (FOR 1" SIZE SANITARY SEAL, CONSULT FACTORY FOR DRAWING, PRICE AND DELIVERY.)

YN 1 1/2" SANITARY SEAL IN AISI 316 SS (Standard)      YP 2 1/2" SANITARY SEAL IN AISI 316 SS  
YO 2" SANITARY SEAL IN AISI 316 SS

#### BODY

CL AISI 316 SS (Standard)      CM AISI 316L SS

#### DIAPHRAGM

UJ AISI 316L (Standard)

#### FILLING FLUIDS

UF GLYCERIN [10 to 150°C / 50 to 302°F] (Standard)      UV FOOD GRADE OIL [-20 to 140°C / -4 to 284°F]  
UG LIQUID PARAFFIN [10 to 200°C / 50 to 392°F]

#### CLAMP

ZO 1 1/2" CLAMP IN AISI 304      ZQ 2 1/2" CLAMP IN AISI 304 SS  
ZP 2" CLAMP IN AISI 304

#### GASKET (SEALING RING)

FX 1 1/2" SILICON GASKET      FZ 2 1/2" SILICON GASKET  
FY 2" SILICON GASKET

#### BOTTOM MATING PART

KB 1 1/2" SANITARY SEAL IN AISI 316      KD 2 1/2" SANITARY SEAL IN AISI 316  
KC 2" SANITARY SEAL IN AISI 316

#### END CONNECTION OF BOTTOM MATING PART (\* Bore size will be 8 mm )

3BM 3/8" BSP (M)\*      4NM 1/2" NPT (M)\*      5MM M33 x 1.5 (M)  
4BM 1/2" BSP (M)\*      4ZB 1/2" PIPE (M) (Plain End)      5BM 3/4" BSP (M)

#### RANGE

REFER RANGE TABLE

0-10  
kg/cm<sup>2</sup>

#### OPTIONAL EXTRAS

RH CUSTOM DESIGNED DIAL	RX SHATTERPROOF / SAFETY GLASS
SG OXYGEN SERVICE (FOR DRY VERSION)	RZ TOUGHENED GLASS
PS AISI 316 SS CASE & BEZEL	SX SS TAG PLATE
PW FIVE POINT CALIBRATION CERTIFICATE	FG FILLABLE LIQUID GLYCERINE
PY DAMPENING LIQUID GLYCERINE FILLED	TB HELIUM LEAK TEST
GH MATERIAL TEST CERTIFICATES*	ZM ELECTRO POLISHED CASE & BEZEL
SQ CASE WITH ROLLING TYPE BEZEL#	

XX

# FOR MOUNTING TYPE 4 ONLY

\* MATERIAL TEST CERTIFICATES WILL BE PROVIDED FOR WETTED PARTS ONLY WITH CHEMICAL COMPOSITION TESTING. FOR OTHERS, PLEASE CONSULT FACTORY.

Note : Specifications and dimensions given in this product catalogue represents the state of engineering at the time of printing.

Modifications may take place and materials specified may be replaced by others without prior notice.



## Industrix Precise Solutions Private Limited

Room No – 303, Bhumika Residency, Plot No-21, Sector-20, Roadpali, Kalamboli, Panvel (Tal.), Raigad (Dist.), Maharashtra, India – 410218.

Mobile: +91 99309 98399 / +91 99674 97447

E-mail: [admin@ipspl.in](mailto:admin@ipspl.in) / [sales@ipspl.in](mailto:sales@ipspl.in) Website: [www.ipspl.in](http://www.ipspl.in)

CIN : U52399MH2021PTC368555