

# MICRO SWITCH PRESSURE GAUGE



## BOURDON TYPE

IPS-PG-17

### SPECIAL FEATURES

- C E APPROVED MICRO SWITCH
- STAINLESS STEEL CASE & MEASURING SYSTEM
- LONG OPERATING LIFE
- HIGH REPEATABILITY
- STANDARD FOLLOWED IN GENERAL EN 837-1

### APPLICATIONS

TO CONTROL HYDRO PNEUMATIC EQUIPMENTS IN FOOD, PHARMACEUTICAL, OIL, PETROCHEMICAL, REFRIGERATION, HVAC AND COMPRESSOR INDUSTRIES. SUITABLE FOR CORROSIVE ENVIRONMENTS & GASEOUS OR LIQUID MEDIA THAT WILL NOT OBSTRUCT THE PRESSURE SYSTEM.



### SPECIFICATIONS

**STANDARD VERSION : 50 mm, 63 mm, 100 mm & 150 mm**

Accuracy*	: ±1.0 % of F. S. FOR NS 100 & 150 mm
	: ±1.6 % of F. S. FOR NS 63 mm
	: ±2.0 % of F. S. FOR NS 50 mm
Ambient temperature	: - 20°C to + 65°C
Process temperature	: Max. 150°C
Electric Wiring	: Transparent DIN Connector with LED indicator
Electrical specification	: 1 SPDT Micro switch (250 V AC / 15 Amp, 220 V DC / 0.2 Amp)
Contact setting	: Between 10% to 75 % of Scale Value
Set Point	: User to specify while ordering
Switching Differential	: Fixed, between 2% to 4% of Scale Value
Operating pressure range	: 75% of Scale Value
Over pressure limit	: Not Suitable

\* The accuracy for Micro Switch shall be ±4.0 % of F. S.

☞ 2 SPDT, Silver & Gold contact micro switch on request.

Case & Bezel	: AISI 304 SS (Bayonet Type)
Bourdon	: AISI 316L SS
Socket	: AISI 316L SS (Directly Welded to Case)
Movement	: AISI 304 SS
Joints	: Tig Argon Arc Welding

Protection	: IP 65
Dial	: Aluminium, black graduation on white background
Pointer	: Aluminium, black coloured Micrometer zero adjustable
Window	: Sheet Glass
Blow off Disc	: Neoprene
Gasket & Filling Plug	: Neoprene

#### Temperature effect:

The variation of indication caused by effects of temperature is to be calculated by below formula; which is to be added in the specified accuracy while measurement :-

Formula :  $\pm 0.04 \times (t_2 - t_1)$  % of F. S.

where  $t_1$  = reference temperature (+20°C) and  $t_2$  = ambient temperature in °C.



**Industrix Precise Solutions Private Limited**

Room No – 303, Bhumika Residency, Plot No-21, Sector-20, Roadpali, Kalamboli, Panvel (Tal.), Raigad (Dist.), Maharashtra, India – 410218.

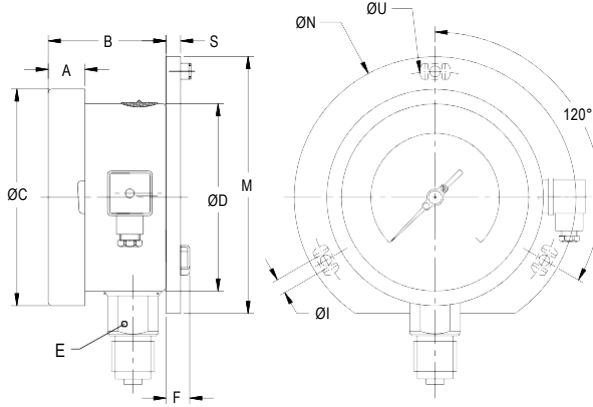
Mobile: +91 99309 98399 / +91 99674 97447

E-mail: [admin@ipspl.in](mailto:admin@ipspl.in) / [sales@ipspl.in](mailto:sales@ipspl.in) Website: [www.ipspl.in](http://www.ipspl.in)

CIN : U52399MH2021PTC368555

## DIMENSIONS - STANDARD VERSION

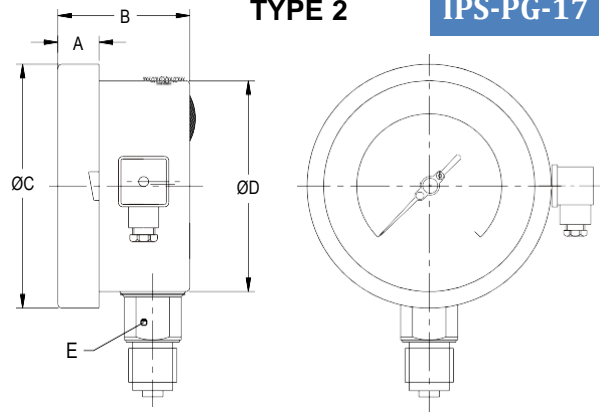
### TYPE 1



NS	A	B	ØC	ØD	E	M	S	F	ØI	ØN	ØU	Weight in gram (With Box)
100	12.5	45	111	100	22	128	6	14.5	6	134	118	715.0
150	15	46.5	161	149	22	174.5	6	14.5	6	186	168	1240

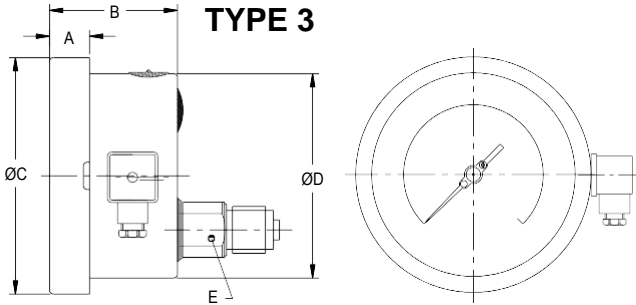
### TYPE 2

IPS-PG-17



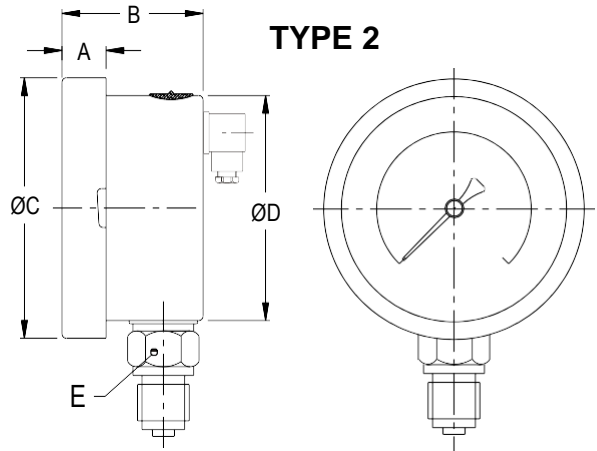
NS	A	B	ØC	ØD	E	Weight in gram (With Box)
100	12.5	47	111	100	22	630.0
150	15	49	161	149	22	1060

### TYPE 3



NS	A	B	ØC	ØD	E	Weight in gram (With Box)
100	12.5	47	111	100	22	625.0
150	15	49	161	149	22	998.0

### TYPE 2



NS	A	B	ØC	ØD	E	Weight in gram (With Box)
50	10	32.5	58.5	51	A/F 14	185.0
63	10	31	69.5	62.5	A/F 14	215.0

## WIRING DIAGRAMS

### SPDT SWITCH

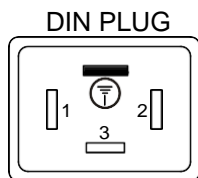
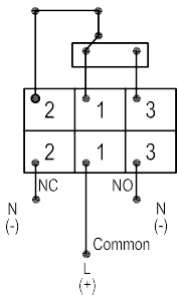
#### Specifications for Snap Action Type Switch

Contact Rating :15A / 250 V AC

:0.2A / 220 V DC

1 SPDT switch

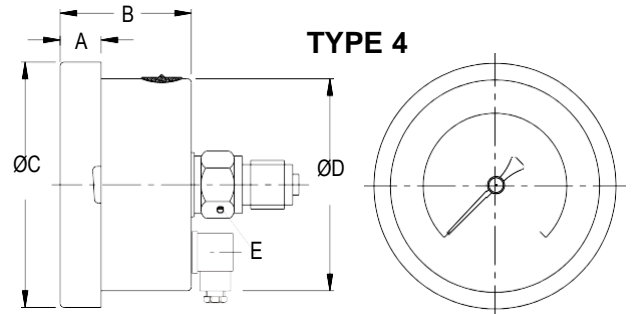
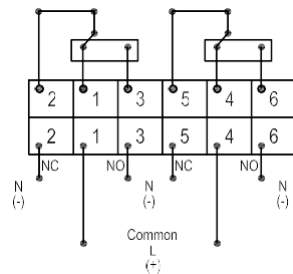
Terminal Strip Connection Diagram



- 1 Common
- 2 NC
- 3 NO

2 SPDT switch

Terminal Strip Connection Diagram



NS	A	B	ØC	ØD	E	Weight in gram (With Box)
50	10	32.5	58.5	51	A/F 14	200.0
63	10	32	69.5	62.5	A/F 14	220.0

## RANGE TABLE

**Note :** IPSPL offers National / International Scales like kPa, MPa, bar, psi, kg/cm<sup>2</sup> & Dual Scale like kPa with psi, kPa with bar, bar with psi or Equivalent scales as per the requirement can be provided on request.

Following are the example tables for kg/cm<sup>2</sup> & psi scales

SINGLE SCALE (kg/cm <sup>2</sup> or bar)					
0/1	0/4	0/16	0/60	0/250	
0/1.6	0/6	0/25	0/100	0/400	
0/2.5	0/10	0/40	0/160	0600	
DUAL SCALE (psi with kg/cm <sup>2</sup> )					
psi	kg/cm <sup>2</sup>	psi	kg/cm <sup>2</sup>	psi	kg/cm <sup>2</sup>
0/15	0/1	0/400	0/28	0/4000	0/280
0/30	0/2	0/500	0/35	0/5000	0/350
0/60	0/4	0/600	0/40	0/6000	0/420
0/100	0/7	0/1000	0/70	0/10000	0/700
0/150	0/10	0/1500	0/100		
0/220	0/16	0/2200	0/160		
0/300	0/20	0/3000	0/200		

## ACCESSORIES (Refer Datasheet for complete specifications)

<b>EB</b> COOLING TOWER	<b>ED</b> OVER LOAD PROTECTOR (GAUGE SAVER)**	<b>EG</b> SNUBBER
<b>EC</b> GAUGE COCK	<b>*</b> NEEDLE VALVE	<b>EH</b> SIPHON

\* Refer catalogue for Valves & Manifolds.

\*\* For Pressure Ranges.

## HOW TO ORDER

### BASIC MODEL CODE

**IPS-PS-17**

### NOMINAL SIZE

C	D	F	H
50 mm	63 mm	100 mm	150 mm

**X**

### TYPE OF MOUNTING

1	WALL / SURFACE / PROJECTION MOUNTING WITH BOTTOM ENTRY*	V	V	U	U
2	DIRECT BOTTOM ENTRY	U	U	U	U
3	DIRECT LOWER BACK ENTRY	V	V	U	U
4	DIRECT CENTER BACK ENTRY	U	U	V	V

**X**

### CONNECTION

<b>2BM</b> 1/4" BSP(M) (Standard)*	<b>4BM</b> 1/2" BSP(M) (Standard)**
<b>2NM</b> 1/4" NPT(M) (Standard)*	<b>4NM</b> 1/2" NPT(M) (Standard)**

\* For NS 50 mm & 63 mm      \*\* For NS 100 mm & 150 mm

**XXX**

Note : Connections like Metric/ PT/ PF/ Flaired/ UNF/ G/ R etc. can be provided on request.

### RANGE

REFER RANGE TABLE

**0-10<sub>2</sub> kg/cm<sup>2</sup>**

### OPTIONAL EXTRAS

<b>TI</b> MONEL BOURDON & SOCKET (MONEL VERSION)**	<b>SX</b> SS TAG PLATE
<b>FL</b> INTEGRAL DAMPENING SCREW (MONEL)**	<b>SW</b> DIAL TAG MARKING
<b>RW</b> PLEXI GLASS	<b>TB</b> HELIUM LEAK TEST
<b>RX</b> SHATTERPROOF/SAFETY GLASS	<b>PW</b> FIVE POINT CALIBRATION CERTIFICATE
<b>RZ</b> TOUGHENED GLASS	<b>RH</b> CUSTOM DESIGNED DIAL
<b>SF</b> MOVEMENT WITH DAMPENING JELLY	<b>GH</b> MATERIAL TEST CERTIFICATES*
<b>QB</b> INTEGRAL DAMPENING SCREW (AISI 316 SS)	

**XX**

\*MATERIAL TEST CERTIFICATES WILL BE PROVIDED FOR WETTED PARTS ONLY WITH CHEMICAL COMPOSITION TESTING. FOR OTHERS, PLEASE CONSULT FACTORY.

\*\*INTEGRAL DAMPENING SCREW WILL BE IN MONEL IF ORDERED. REFER OPTION FL.



# Industrix Precise Solutions Private Limited

Room No – 303, Bhumika Residency, Plot No-21, Sector-20, Roadpali, Kalamboli, Panvel (Tal.), Raigad (Dist.), Maharashtra, India – 410218.

Mobile: +91 99309 98399 / +91 99674 97447

E-mail: [admin@ipspl.in](mailto:admin@ipspl.in) / [sales@ipspl.in](mailto:sales@ipspl.in) Website: [www.ipspl.in](http://www.ipspl.in)

CIN : U52399MH2021PTC368555