

ECO MODEL (COMPACT DESIGN) ROLLING TYPE BEZEL



BOURDON TYPE PRESSURE GAUGE

IPS-PG-25

SPECIAL FEATURES

- STAINLESS STEEL CASE & MEASURING SYSTEM
- SOCKET & CASE WELDED
- PROTECTION IP 55
- STANDARD FOLLOWED IN GENERAL EN 837-1

APPLICATIONS

CLEAN AIR, NON CORROSIVE GASES / LIQUID MEDIA THAT WILL NOT OBSTRUCT THE PRESSURE SYSTEM.

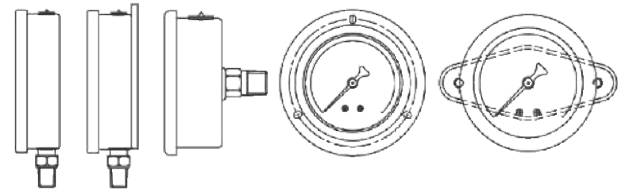
SPECIFICATIONS

STANDARD VERSION : 63 MM, 80 MM & 100 MM

Accuracy	± 1.6% pf FS
Ambient Temperature	0 to 65°C
Process Temperature	Maximum 200°C
Operating Pressure	75% of the Scale Value
Over Pressure Limit	125% of the Maximum Scale Value

Case & Ring	AISI 304 SS
Bourdon	AISI 304 SS / Brass
Socket	AISI 304 SS (Welded to the Case / Brass)
Movement	AISI 304SS / Brass
Joints	Tig Argon Arc Welded / Alloy Brazing or Soldering

Protection	IP 65
Dial	Aluminium, Black Graduation on White background
Pointer	Aluminium, Black coloured, Slotted zero adjustment
Window	Sheet Glass / Plexi Glass
Blow Out Disc	Neoprene
Gaskets	Neoprene

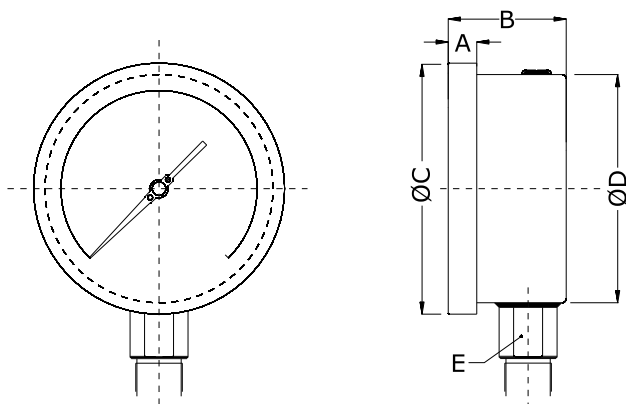


Temperature effect:

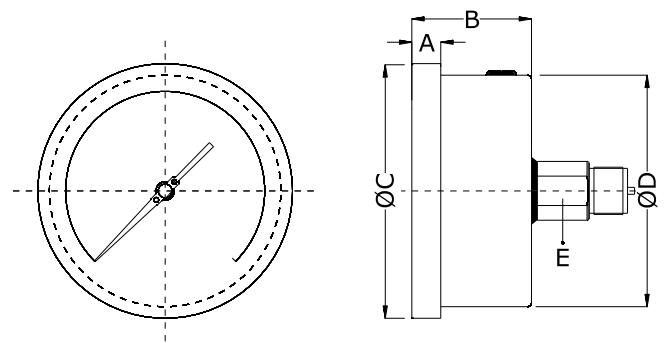
The variation of indication caused by effects of temperature is to be calculated by below formula; which is to be added in the specified accuracy while measurement :-
Formula : $\pm 0.04 \times (t_2 - t_1) \% \text{ of F. S.}$
where t_1 = reference temperature (+20°C) and t_2 = ambient temperature in °C.

DIMENSIONS - STANDARD VERSION

Notes : • Drawings are not to scale. • All Dimensions are in mm. • NS = Nominal Size.



NS	A	B	ØC	ØD	E	Weight (grams)
63mm	5.5	29	68.5	63	A/F 14	185
100mm	7	36	110	100	A/F 14	275



NS	A	B	ØC	ØD	E	Weight (grams)
63mm	5.5	29	68.5	63	A/F 14	185
100mm	7	36	110	100	A/F 14	275

ECO MODEL (COMPACT DESIGN) ROLLING TYPE BEZEL

BOURDON TYPE PRESSURE GAUGE



IPS-PG-25

RANGE TABLE

Following Ranges are available in kg/cm² and psi (Dual Scale) only.

PRESSURE

VACUUM & COMPOUND

PRESSURE RANGES (psi with kg/cm ²)				COMPOUND RANGES (inHg with psi & mmHg with kg/cm ²)			
psi	kg/cm ²	psi	kg/cm ²	inHg with psi		mmHg with kg/cm ²	
0/60	0/4	0/400	0/28	- 30/0		- 760/0	
0/100	0/7	0/500	0/35	- 30/60		- 760/4	
0/150	0/10	0/600	0/42	- 30/150		- 760/10	
0/220	0/16	0/1000	0/70	-30/200		-760/14	
0/300	0/21						

HOW TO ORDER

BASIC MODEL

CODE

	D	E	F
NOMINAL SIZE TYPE	63 mm	80 mm	100 mm

OF MOUNTING

- 2** DIRECT BOTTOM ENTRY
- 4** CENTRE BACK ENTRY

GAUGE CONNECTION

4BM 1/2" BSP (M)	2BM 1/4" BSP(M)	3BM 3/8" BSP(M)
4TM 1/2" BSPT(M)	2NM 1/4" NPT(M)	3NM 3/8" NPT(M)
4NM 1/2" NPT (M)	2TM 1/4" BSPT(M)	3TM 3/8" BSPT(M)

RANGE

REFER RANGE TABLE

OPTIONAL EXTRAS

PW FIVE POINT CALIBRATION CERTIFICATE	SW DIAL TAG MARKING
SX SS TAG PLATE	TB HELIUM LEAK TEST
QB INTEGRAL DAMPENING SCREW (AISI 316 SS)	GH MATERIAL TEST CERTIFICATES***

Example

BEZEL

X

X

XXX

0-10
kg/cm²

XX

*** MATERIAL TEST CERTIFICATES WILL BE PROVIDED FOR WETTED PARTS ONLY WITH CHEMICAL COMPOSITION TESTING. FOR OTHERS, PLEASE CONSULT FACTORY.

Note : Dial scale will be in black color only. 'ECO' will be printed on dial.

Note : Specifications and dimensions given in this product catalogue represents the state of engineering at the time of printing.

Modifications may take place and materials specified may be replaced by others without prior notice.



Industrix Precise Solutions Private Limited

Room No – 303, Bhumika Residency, Plot No-21, Sector-20, Roadpali, Kalamboli, Panvel (Tal.), Raigad (Dist.), Maharashtra, India – 410218.

Mobile: +91 99309 98399 / +91 99674 97447

E-mail: admin@ipspl.in / sales@ipspl.in Website: www.ipspl.in

CIN : U52399MH2021PTC368555