

## APPLICATION

- Liquid & gaseous mediums
- Corrosive environments
- Oil & Gas applications
- Chemical & Petrochemical
- Food & Beverages
- Nuclear power plants

## FEATURES

- All stainless steel welded construction
- Follows EN 13190 / ASME B40.200
- Accuracy as per Class 1
- Dry / Fillable / Liquid filled



## GAS FILLID TEMPERATURE GAUGE

### DESCRIPTION

#### General

**Design :** EN 13190  
**Accuracy :** ±1.0% of full scale  
**Ambient temperature :** -20...+60°C  
**Storage temperature :** -50...+70°C without liquid dampening  
 -20...+60°C with liquid dampening  
**Over range limits :** 110% full scale  
**Stem pressure rating :** 25 bar (Without thermowell)  
**Weld joints :** TIG argon arc welding

#### Material of construction

**Sensing element :** Inert Gas Filled sensor bulb  
**Case & Ring material :** AISI 304 SS  
**Stem material :** AISI 316 SS  
**Process connection material :** AISI 316 SS  
**Dial :** Aluminum, black graduation on white background  
**Pointer :** Micro-zero adjustable, aluminum, black powder coated  
**Gaskets :** Neoprene / NBR  
**Window :** Sheet glass  
**Electric Contact :** Double; Break contact + Make contact  
**Electrical Termination :** 4 Pin Din connector

#### Standard version

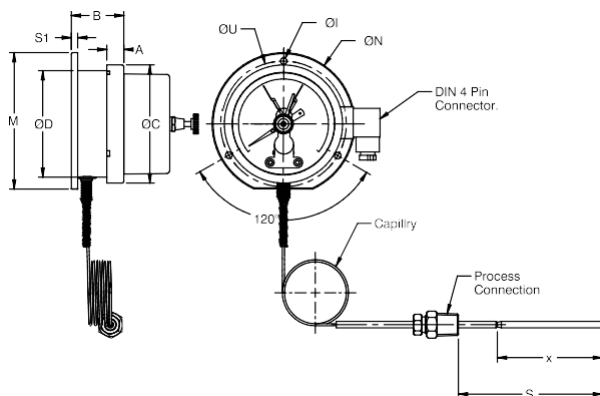
**Dial size :** 100 mm / 150 mm / 250 mm  
**Range :** -50 up to 800°C  
**Mounting pattern :** Direct Bottom connection  
**Stem size :** 6.0 mm / 8.0 mm / 9.5 mm / 12 mm  
**Ingress protection :** IP 65  
**Stem length :** 150 mm standard up to 3000 mm  
**Process connection type :** Adjustable connection  
**Process connection :** ½" NPT (M) / ½" BSP (M)

#### Filled versions

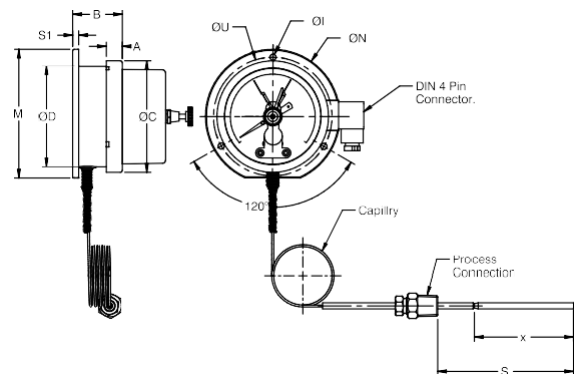
**Window :** Shatterproof safety glass / Polycarbonate Glass (Doom Glass)  
**Gasket, Blow off disc & filling plug :** NBR / Viton  
**Dampening liquid :** Dielectric Oil

#### Temperature effect

When temperature of the measuring system deviates from reference temperature (+20):  
 max ±0.4% / 10K of full scale value.



DN	A	B	OC	OD	OI	ON	M	S1	OU	S	X
100	12	52	111	100	6	134	128	6	118	*	**
150	15	52	161	149	6	186	172.4	6	168	*	**



DN	A	B	OC	OD	OI	ON	M	S1	OU	S	X
100	12	52	111	100	6	134	128	6	118	*	**
150	15	52	161	149	6	186	172.4	6	168	*	**

### NOTES

1. Drawing not to scale. All dimensions are in mm.
2. For other mounting details, Panel cut-out dimensions, kindly contact factory.



## ORDERING CODES

IPS-TG-06

XX

XX

XX

XX

XX

XX

XX

XX

XXXX

XXXX

XXX

XXX

XXXX

XX/XX

**MODEL**

ANI53-1 Gas filled temperature gauge with Electric Contact

**Electric Contact Type**

<b>A1</b> Electric Contact with Safety Glass	<b>A2</b> Electric Contact with Polycarbonate Glass (DoomGlass)
--	---

**DIAL SIZE**

<b>D4</b> 4" / 100 mm	<b>D6</b> 6" / 150 mm
-----------------------	-----------------------

**MOUNTING**

**Direct type (Rigid stem)**

<b>M1</b> Direct bottom	<b>M5</b> Direct center back	<b>M12</b>
<b>M6</b> Direct lower back	<b>M16</b> Bottom with Anti-vibration spring	

**Remote type (Capillary extension)**

<b>M2</b> Direct bottom with Back flange	<b>MF</b> Direct lower back with front flange	
<b>M8</b> Direct lower back with panel mounting clamp		

**CONNECTION**

<b>P4</b> ¼" NPT (M)	<b>P6</b> 3/8" NPT (M)	<b>P8</b> ½" NPT (M)
<b>P3</b> ¼" BSP (M)	<b>P5</b> 3/8" BSP (M)	<b>P7</b> ½" BSP (M)

**CASE FILLING**

<b>F1</b> Dry	<b>F2</b> Dry but fillable	<b>F9</b> Die Electric Oil filled
---------------	----------------------------	-----------------------------------

**R1 EXECUTION**

<b>R1</b> Direct	<b>R2</b> Remote
------------------	------------------

**STEM SIZE**

<b>B6</b> 6 mm	<b>B8</b> 8 mm	<b>B10</b> 10 mm
<b>B12</b> 12 mm	<b>B9</b> 9.5 mm	<b>B7</b> 6.35 mm (¼")

**STEM LENGTH**

**XXXX** Please mention stem length in 'mm'

**RANGE**

**0-100°C** Please mention range required with the measurement unit  
We offer in all types of National & International measurement units, e.g. °C, °F, etc. with single or dual scales

**CAPILLARY**

<b>S01</b> AISI 304 SS	<b>S02</b> AISI 316 SS
------------------------	------------------------

**CAPILLARY**

<b>S01</b> AISI 304 SS	<b>S02</b> AISI 316 SS	<b>S16</b> PVC [Ambient up to 65°C]
------------------------	------------------------	-------------------------------------

**STEM LENGTH**

**XXXX** Please mention stem length in 'mm'

**ELECTRIC CONTACT TYPE [RATING - MAGNETIC CONTACTS : 45mA@230VAC, INDUCTIVE CONTACT : 8VAC]**

<b>N1</b> Magnetic Contact - 1NC	<b>N2</b> Magnetic Contact - 1NO	<b>N3</b> Magnetic Contact - 1NC & 1NO
<b>N4</b> Magnetic Contact - 2NC	<b>N5</b> Magnetic Contact - 2NO	
<b>N6</b> Inductive Contact - 1NC	<b>N7</b> Inductive Contact - 1NO	<b>N8</b> Inductive Contact - 1NC & 1NO
<b>N9</b> Inductive Contact - 2NC	<b>N10</b> Inductive Contact - 2NO	
<b>N11</b> 1 SPDT	<b>N12</b> 1 DPDT	

**OPTIONAL EXTRAS**

<b>E33</b> AISI 316 SS case & ring	<b>E01</b> Shatterproof safety glass	<b>E46</b> External zero adjustment
<b>E27</b> AISI 304 SS tag plate	<b>E28</b> AISI 316 SS tag plate	<b>E31</b> Custom designed dial
<b>E32</b> Dial tag marking	<b>E16</b> 5 - point calibration certificate	<b>E14</b> Rubber parts, Viton

