

MAGNETIC LEVEL INDICATOR (BY-PASS LEVEL INDICATOR)



SIDE MOUNTED / TOP MOUNTED

IPS-LG-01

SPECIAL FEATURES

- ENHANCED PROTECTION DUE TO METALLIC CHAMBER
- TRANSMITTER OUTPUT 4 - 20 mA (OPTIONAL).
- DISPLAY OF LIQUID LEVEL FOR CORROSIVE, TOXIC & FLAMMABLE MEDIA WITH SEPARATION FROM MEASUREMENT TO INDICATING COMPARTMENTS.
- MAGNETIC TRANSMISSION OF LIQUID LEVEL FROM VESSEL TO GAUGE IS CONTINUOUS & RESISTANCE TO VIBRATION.
- CAN BE USED FOR THE LEVEL MEASUREMENT FOR THE ATMOSPHERIC & PRESSURIZED CONDITION.
- BETTER RELIABILITY AT HIGH TEMPERATURE & PRESSURE
- CLEAR VISIBILITY OF LEVEL FOR LONGER DURATION.
- EASY TO SET CONTACTS AT DIFFERENT DESIRED LEVELS.

APPLICATIONS

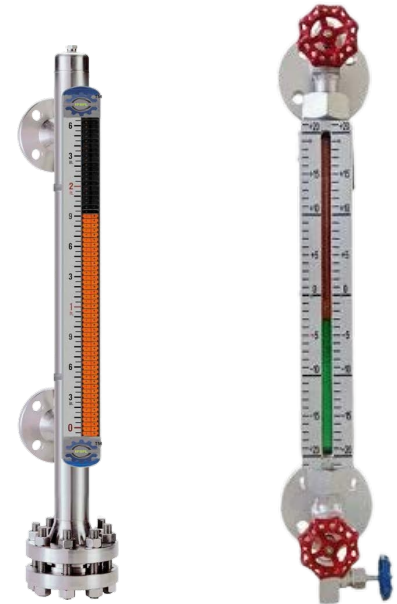
- PROCESSING TANKS & UNDER GROUND TANKS
- CUSTODY TRANSFER
- PHARMACEUTICAL & BEVERAGE PLANTS
- CHEMICAL & FERTILIZER PLANT

SPECIFICATIONS

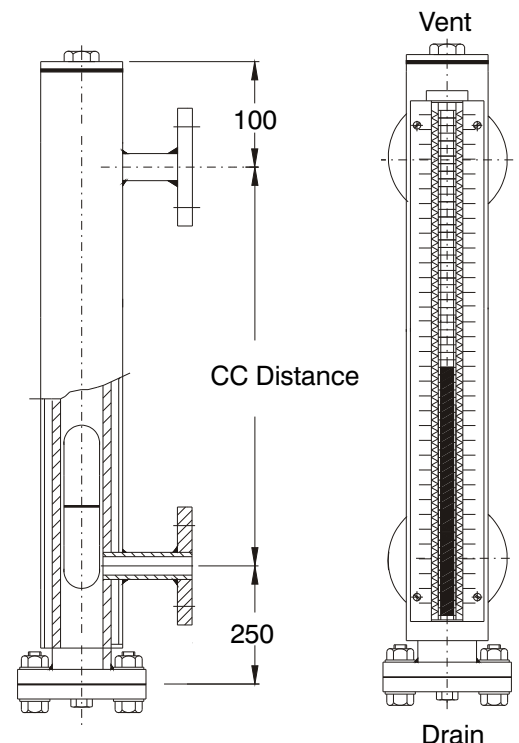
STANDARD VERSION :

Mounting	:	Top or Side
Top Side Vent	:	Welded flat top with Plug
Bottom Side Drain	:	Dual Flange & Plug (for Side Mounted)
	:	/ Flange (for Top Mounted)
Process Connection	:	Flanged or Screwed
C-C Distance (± 3 mm)	:	Up to 6000 mm
Flag Display length (L)	:	Up to 6000 mm
Flag Color	:	Blue & White
Scale Material	:	Aluminum
Operating Pressure	:	Up to 50 kg/cm ²

Operating Temperature	:	-20 to 120°C
Chamber	:	AISI 316 SS
Float	:	AISI 316 SS
Indicator Roller	:	Metallic
Specific gravity	:	0.75 (Min.)



DIMENSIONS - STANDARD VERSION



Notes : • Drawings are not to scale. • All Dimensions are in mm



Industrix Precise Solutions Private Limited

Room No – 303, Bhumika Residency, Plot No-21, Sector-20, Roadpali, Kalamboli, Panvel (Tal.), Raigad (Dist.), Maharashtra, India – 410218.

Mobile: +91 99309 98399 / +91 99674 97447

E-mail: admin@ipspl.in / sales@ipspl.in Website: www.ipspl.in

CIN : U52399MH2021PTC368555

