

PRESSURE TRANSMITTER

SILICON BASED MEMS PIEZO RESISTIVE TECHNOLOGY



IPS-PT-01

PRODUCT OVERVIEW

IPS-PT-01 Pressure Transmitter incorporates a media isolated silicon pressure sensor with pressure range 0.1 bar through 250 bar. For OEM-'s that need consistent high level of performance., reliability and stability the IPS-PT-01 units offer all 316L Stainless Steel wetted parts at an unbeatable price performance ratio. A wide choice of output signal types in addition to various electrical connections and pressure port types means the unit is suitable for most application without modification.



APPLICATIONS

- Engine Fuel Pressure Measurement
- Refrigeration and Air Compressor
- Hydraulic Systems
- Water Pressure Measurement
- Autoclaves & ETO Sterilizers
- Liquid and Gas Pressure Measurement
- Circuit Breakers

FEATURES

- Gauge, Absolute and Vacuum Pressure Measurement
- Lifetime > 100 M Cycles
- Measuring Range From -1 ... 250 bar (other ranges on request)
- Process Temperatures From - 40 ... + 125 °C
- Wide Range of Pressure Ports and Electrical Connectors
- Housing and Diaphragm made of Premium Stainless Steel
- Customized OEM Versions Available



Industrix Precise Solutions Private Limited

Room No – 303, Bhumika Residency, Plot No-21, Sector-20, Roadpali, Kalamboli, Panvel (Tal.), Raigad (Dist.), Maharashtra, India – 410218.

Mobile: +91 99309 98399 / +91 99674 97447

E-mail: admin@ipspl.in / sales@ipspl.in Website: www.ipspl.in

CIN : U52399MH2021PTC368555

PRESSURE TRANSMITTER

PERFORMANCE

Accuracy* :s; $\pm 0.25\%$ BFSL
 Stability (1 Year) :s; $\pm 0.25\%$ of FS
 Insulation Resistance > 100MO/500VDC
 Over Range Protection 300%F.S. (:s;70kPa) 200%F.S. (<10MPa)
 Temperature Drift <+1.5% FS(-20 to 85 °C)
 Response Time :s;90ms (up to 90%F.S.)
 Reverse Polarity Protection Yes
 *Accuracy includes non-linearity, hysteresis & non-repeatability

ENVIRONMENTAL

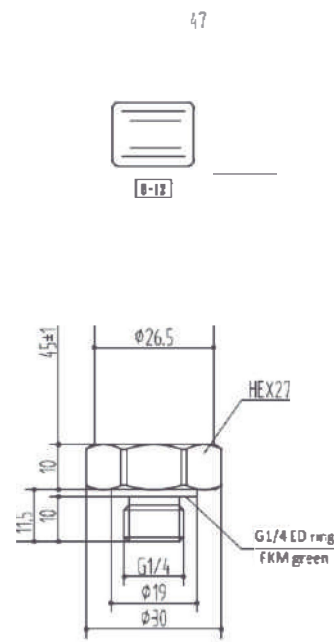
EMI/RFI Protection Yes (Electromagnetic Compatibility Directive 2014/30/EU) IP65
 IP Rating* Vibration minimum
 Shock 20g (25~2000HZ) Sine Curve; IEC 60068-2-6
 200g/lms; IEC 60068-2-27

*IP Rating is dependent on electrical termination selected. Contact factory for more information
 *IP Rating applies when electrical connector is attached with the appropriate ingress protection

ELECTRICAL

Output	4-20mA	1-5V, 1-6V, 0-5V (3-wire)	0-10V (3-wire)
Excitation	10-28VDC	10-28VDC	15-28VDC

DIMENSION



*Dimensions are for reference only

THERMAL

Temperature
 Ambient Temp. -20 °C - 80 °C
 Medium Temp. -40 °C - 125 °C
 (Optional upto 350 Deg C with Cooling Fins)
 Storage Temperature -40 °C - 120 °C

Thermal Limits

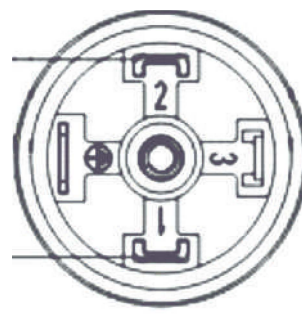
Compensated Range 0 °C - 70 °C
 TC Zero :s; $\pm 1.5\%$ FS
 TC Span :s; $\pm 1.5\%$ FS

IPS-PT-01

WIRING GUIDE

DIN 43650, FORM A

Output	Pin 1	Pin 2	Pin 3	Wide Pin
4-20mA {2-wire}	+V	-v	N/A	N/A
Voltage {3-wire}	+V	Ground	Signal	N/A
mV {4-wire}+	Signal	Ground	+v	-Signal



PRESSURE TRANSMITTER

ORDERING INFORMATION

IPS-PT-01

IPS-PT-01 2500 B G 1 1 3 L S

MODEL FAMILY			OPTIONS		
IPS-PT-01 Pressure Transmitter (Silicon Based Mems Piezo Resistive Technology)			S = Snubber		
PRESSURE RANGE			C = Cooling Adaptor		
0001 = 0...0.1bar	0060 = 0 - 6 Bar	1000 = 0 - 100 Bar	D = Headmount Display		
0003 = 0...0.35bar	0100 = 0 - 10 Bar	1600 = 0 - 160 Bar	WETTED MATERIAL		
0007 = 0...0.7bar	0160 = 0 - 16 Bar	2500 = 0 - 250 Bar	L = 316 L Stainless Steel		
0010 = 0...1bar	0250 = 0 - 25 Bar	PRS = Customized range	PROCESS CONNECTION		
0016 = 0 - 1.6 Bar	0350 = 0 - 35 Bar		1 = G ¼" (M)		
0025 = 0 - 2.5 Bar	0600 = 0 - 60 Bar		2 = G ½" (M)		
0040 = 0 - 4 Bar			3 = M 20 x 1.5-6G (M)		
			4 = M 14 x 1.5 (M)		
PRESSURE UNIT			5 = ¼" NPT (M)		
P = PSI			6 = ½" NPT (M)		
B = Bar			ELECTRICAL		
K = Kg/Cm ²			1 = Mini DIN		
M = Millibar			2 = Big DIN		
W = Inches to H2O			3 = Packard 3-Pin		
PRESSURE TYPE			4 = 1 Meter Cable		
G = Gauge			5 = M12 x 1		
A = Absolute Gauge					
S = Sealed Gauge					
V = Vacuum (Gauge)					
C = Vacuum (Sealed Gauge)					
OUTPUT SIGNAL					
1 = 4 - 20 mA					
2 = 1 - 5 Vdc					
3 = 0 - 5 Vdc					
4 = 0 - 10 Vdc					
5 = 0.5...4.5 Vdc					
6 = 1 - 10 Vdc					

Due to continuous development o-f our products tech nica l information's a re subject to change.
 Please ensure the compatibility between the measured medium and the contacting part o-f the product when placing an order_
 IP SPL reserves the right to make any change in this datasheet without notice.
 The information provided is believed to be accurate and reliable as of this product sheet. Contact factory for custom configurations not shown