

RTD SENSORS WITH TRANSMITTER (COMPACT TYPE)



IPS-TT-01

- Integrated 4-20mA transmitter
- Ranges from -50...200°C with cooling fins
- Supply : 8...35 VDC
- Accuracy : $\pm 0.1\%$ of measurement range *
- Accuracy of RTD (Pt-100) : Class A accuracy as standard, Class AA optional
- Standard ranges : 0...50/100/150/200°C
- For pipe lines from 15NB onwards
- AISI 316L (1.4404) body and wetted parts
- Surface finish : $R_a \leq 0.51\mu\text{m}$ & $\leq 0.8\mu\text{m}$ for wetted & non-wetted surfaces respectively
- M12 connector with IP69K for electrical connections
- Variable insertion lengths from 20 mm onwards
- Extremely Short response times
- Highly accurate even with short insertion lengths
- Weld-in adaptors & mating sanitary fittings optional
- Tightening torque : 10 Nm
- Temperature range (ambient) : -40...+80°C
- Connecting cable : Optional, 5 meter long



APPLICATIONS

- Oil & Gas / Chemical
- Water & Wastewater
- Energy

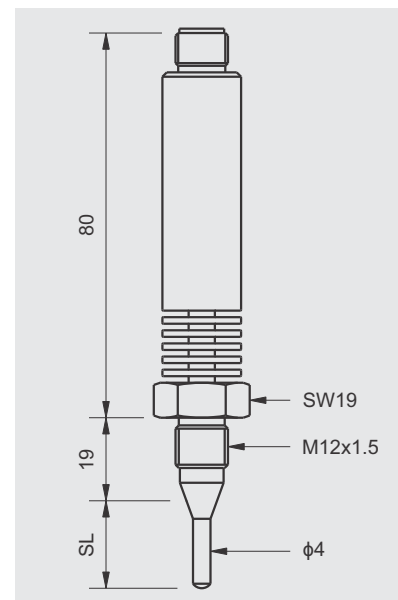
ACCURACY OF Pt100 AS PER IEC 60751

Pt100	A (1/2B)	AA (1/3B)
0°C (100Ω)	$\pm 0.15^\circ\text{C}/\pm 0.06\Omega$	$\pm 0.1^\circ\text{C}/\pm 0.04\Omega$
100°C (138.5Ω)	$\pm 0.35^\circ\text{C}/\pm 0.13\Omega$	$\pm 0.27^\circ\text{C}/\pm 0.1\Omega$

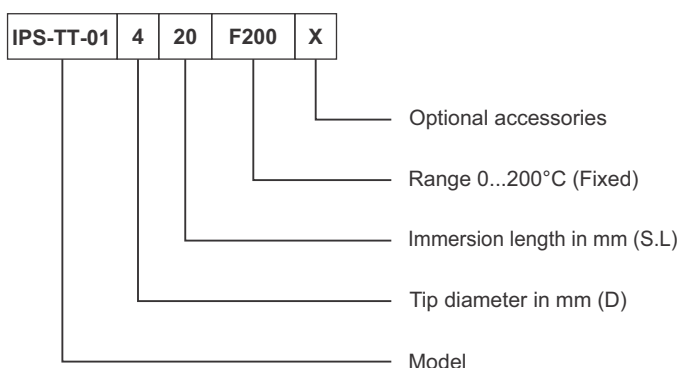
RESPONSE TIME

Tip Dia.	Imm. Length	$T_{0.5}$	$T_{0.9}$
4 mm	20 mm	2 s	4 s

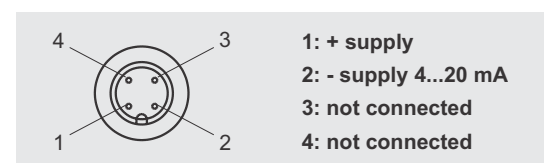
$T_{0.5}$ and $T_{0.9}$ shows the response times at 50% and 90% of the step change. This data is measured by immersing the sensing bulb from ambient temperature to boiling water flowing at 0.4 m/sec. The result may vary according to the measuring environment and condition.



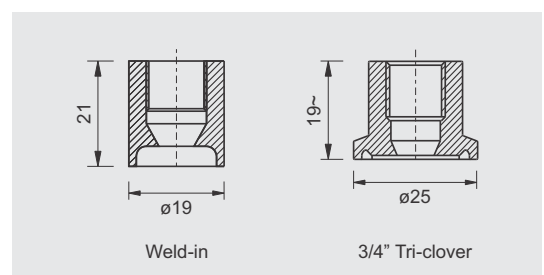
HOW TO ORDER



ELECTRICAL CONNECTION



OPTIONAL FITTING (SS316L)



NB : The transmitter must be protected from temperatures above 85°C

* The deviation of RTD sensor must be added to get the measuring accuracy of the transmitter



IndustriX Precise Solutions Private Limited

Room No – 303, Bhumika Residency, Plot No-21, Sector-20, Roadpali, Kalamboli, Panvel (Tal.), Raigad (Dist.), Maharashtra, India – 410218.

Mobile: +91 99309 98399 / +91 99674 97447

E-mail: admin@ipspl.in / sales@ipspl.in Website: www.ipspl.in

CIN : U52399MH2021PTC368555