

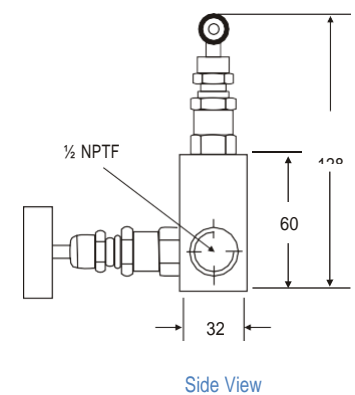
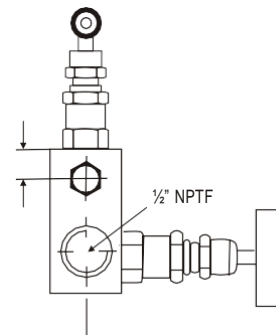
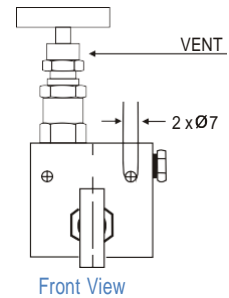
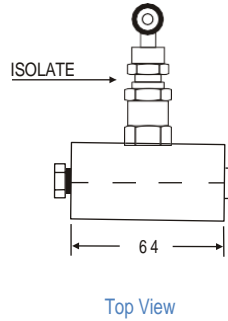
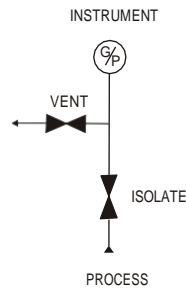
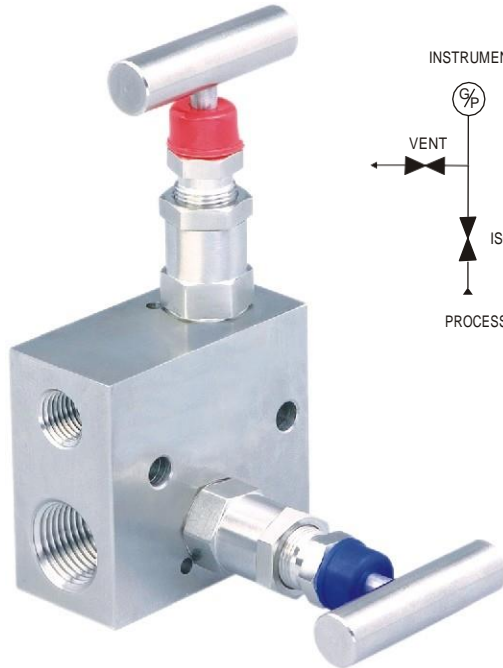
TWO VALVE MANIFOLDS



REMOTE MOUNT (Pipe to Pipe)

IPS-MV-PP2-01

With threaded horizontal port inlet, outlet and vent/test connection on the left hand side. The venting bonnet is positioned on the top and the isolating bonnet on the front.



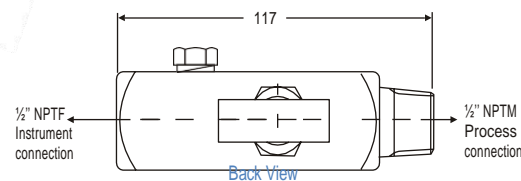
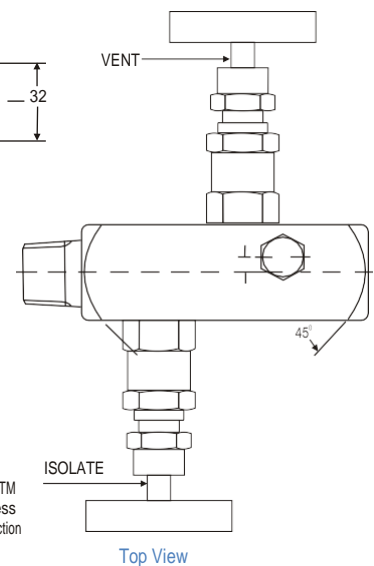
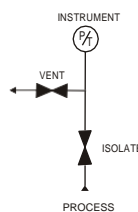
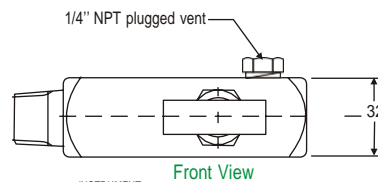
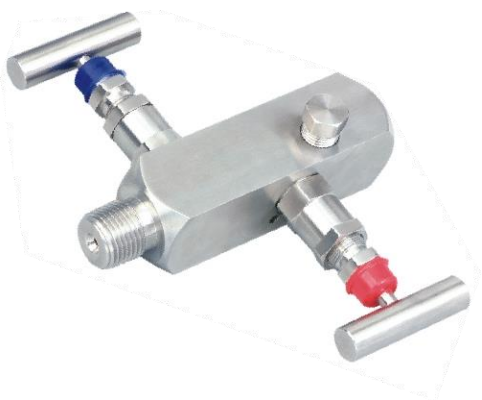
Standard connection

| Product | Process side | Instrument side | Vent/Test |
|---------------|-----------------|-----------------|-----------------|
| IPS-MV-PP2-01 | 1/2" NPT female | 1/2" NPT female | 1/4" NPT female |

REMOTE MOUNT (Pipe to Pipe)

IPS-MV-PP2-02

With threaded vertical port inlet and female outlet. The vent/test connection is positioned on the front side. The venting bonnet is positioned on the right hand side and the isolating bonnet on left hand side.



Standard connection

| Product | Process side | Instrument side | Vent/Test |
|---------------|-----------------|-----------------|-----------------|
| IPS-MV-PP2-02 | 1/2" NPT female | 1/2" NPT female | 1/4" NPT female |



Industrix Precise Solutions Private Limited

Room No – 303, Bhumika Residency, Plot No-21, Sector-20, Roadpali, Kalamboli, Panvel (Tal.), Raigad (Dist.), Maharashtra, India – 410218.

Mobile: +91 99309 98399 / +91 99674 97447

E-mail: admin@ipspl.in / sales@ipspl.in Website: www.ipspl.in

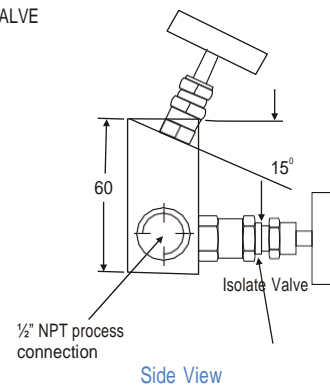
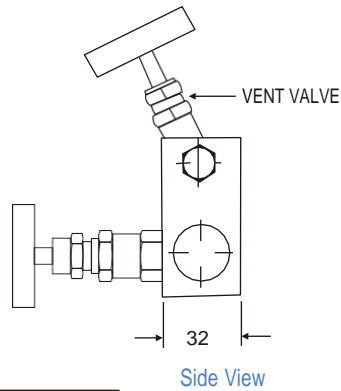
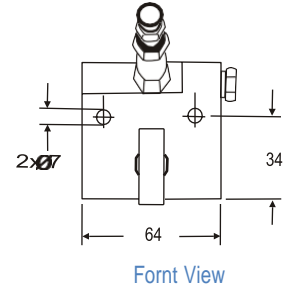
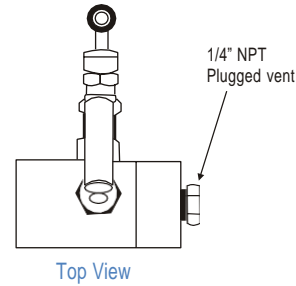
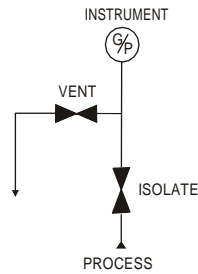
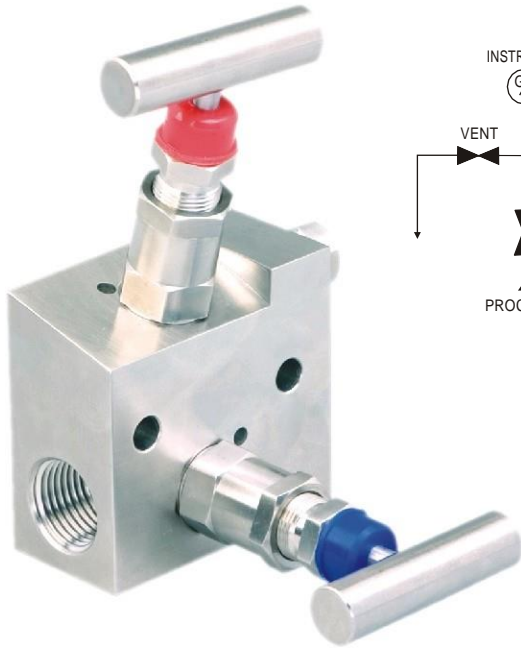
CIN : U52399MH2021PTC368555

TWO VALVE MANIFOLDS



With threaded horizontal port inlet and outlet and vent/test connection on the right hand side. The venting bonnet is positioned angular on the top and the isolating bonnet on the front.

IPS-MV-PP2-03



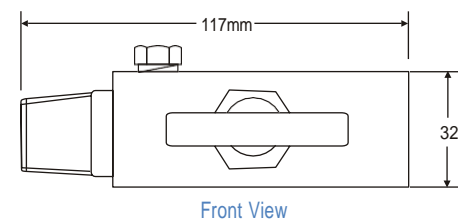
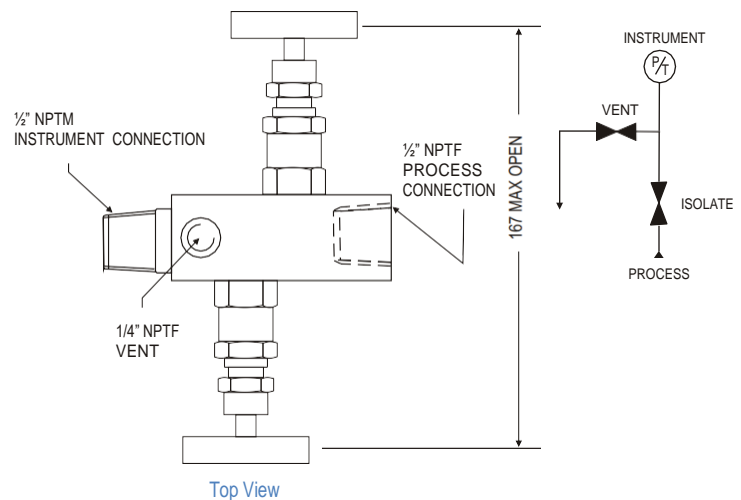
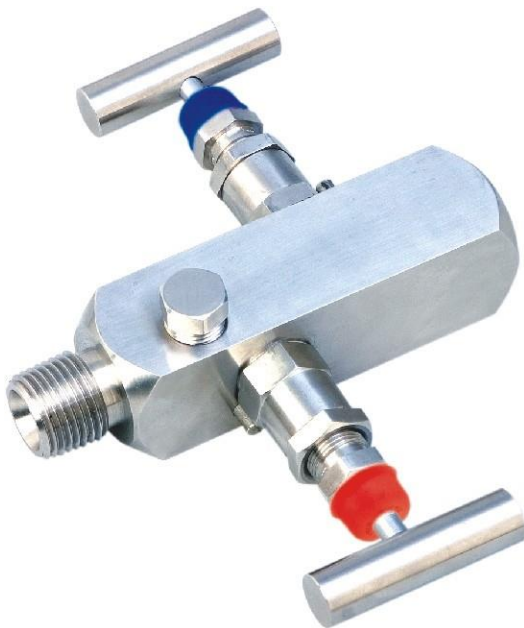
Standard connection

| Product | Process side | Instrument side | Vent/Test |
|---------------|-----------------|-----------------|-----------------|
| IPS-MV-PP2-03 | 1/2" NPT female | 1/2" NPT female | 1/4" NPT female |

REMOTE MOUNT (Pipe to Pipe)

IPS-MV-PP2-04

With the vent is positioned near the male instrument connection side.



Standard connection

| Product | Process side | Instrument side | Vent/Test |
|---------------|-----------------|-----------------|-----------------|
| IPS-MV-PP2-04 | 1/2" NPT Female | 1/2" NPT Male | 1/4" NPT Female |



IndustriX Precise Solutions Private Limited

Room No – 303, Bhumika Residency, Plot No-21, Sector-20, Roadpali, Kalamboli, Panvel (Tal.), Raigad (Dist.), Maharashtra, India – 410218.

Mobile: +91 99309 98399 / +91 99674 97447

E-mail: admin@ipspl.in / sales@ipspl.in Website: www.ipspl.in

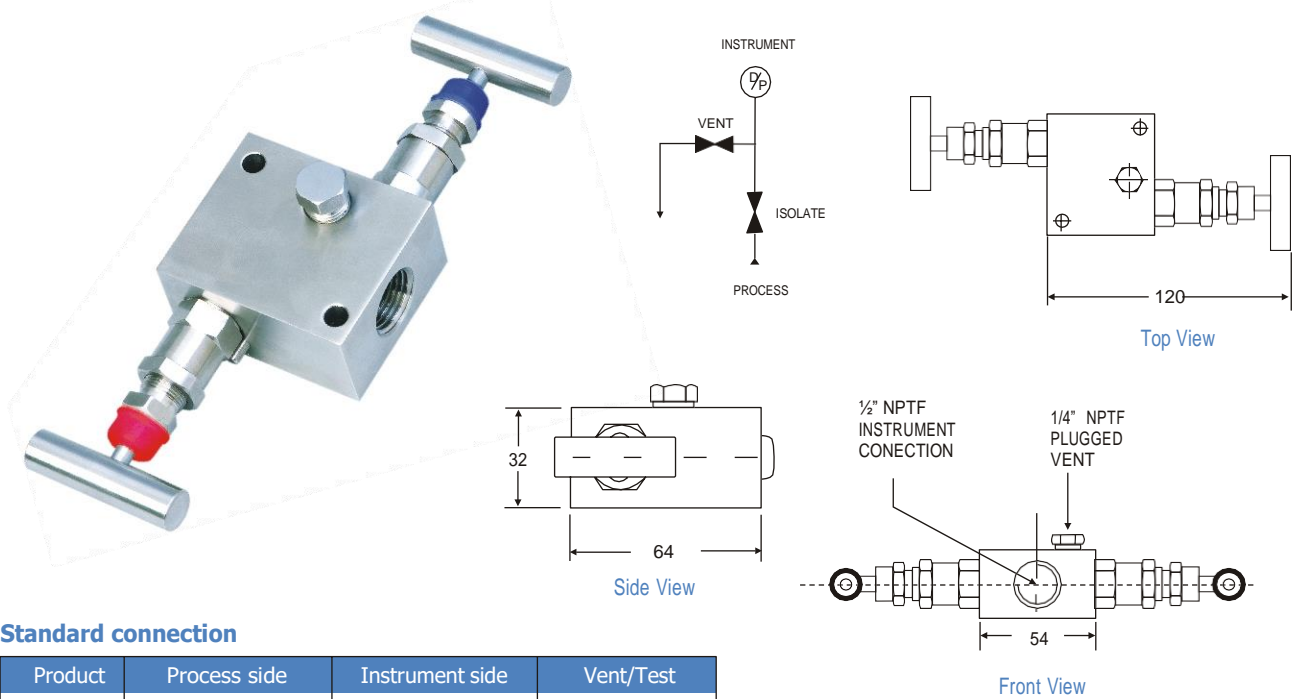
CIN : U52399MH2021PTC368555

TWO VALVE MANIFOLDS



With threaded vertical port inlet and outlet. The vent/test connection is positioned on the front side. The drain bonnet is positioned on the right hand side and the isolating bonnet on the left hand side.

IPS-MV-PP2-05



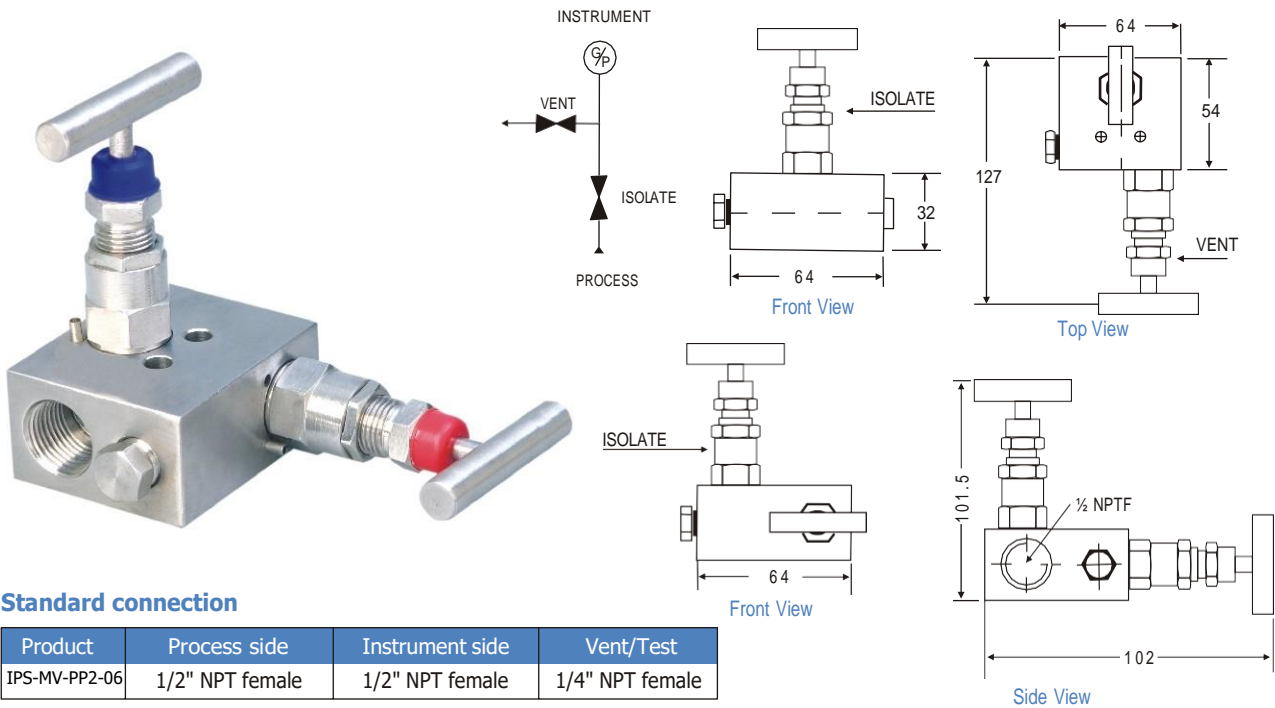
Standard connection

| Product | Process side | Instrument side | Vent/Test |
|---------------|-----------------|-----------------|-----------------|
| IPS-MV-PP2-05 | 1/2" NPT female | 1/2" NPT female | 1/4" NPT female |

REMOTE MOUNT (Pipe to Pipe)

IPS-MV-PP2-06

With threaded horizontal port inlet, outlet and vent/test connection on the left hand side. The venting bonnet is positioned on the top and the isolating bonnet on the front.



Standard connection

| Product | Process side | Instrument side | Vent/Test |
|---------------|-----------------|-----------------|-----------------|
| IPS-MV-PP2-06 | 1/2" NPT female | 1/2" NPT female | 1/4" NPT female |



Industrix Precise Solutions Private Limited

Room No – 303, Bhumika Residency, Plot No-21, Sector-20, Roadpali, Kalamboli, Panvel (Tal.), Raigad (Dist.), Maharashtra, India – 410218.

Mobile: +91 99309 98399 / +91 99674 97447

E-mail: admin@ipspl.in / sales@ipspl.in Website: www.ipspl.in

CIN : U52399MH2021PTC368555



Specifications - Standard Version IPS-MV-PP2-01, IPS-MV-PP2-02, IPS-MV-PP2-03, IPS-MV-PP2-04, IPS-MV-PP2-05, IPS-MV-PP2-06

| | |
|-----------------------------|--|
| Body | : SS 316 |
| Stem | : SS 316 |
| Valve assembly | : SS 316 |
| 'T' bar handle | : SS 304 |
| Maximum working pressure | : 6000 PSI |
| Maximum working temperature | : 240°C |
| Packing | : PTFE |
| Type of stem | : Type CT; Stem with conical metal tip |
| Drain port | : 1/4" NPT [F]; provided with SS 316 plug |
| Bracket mounting holes | : 2 Nos. (Not available in Series 2VT, 2VTF) |
| Hard Chrome plating | : Provided on stem tip. |

How to order : IPS-MV-PP2-01, IPS-MV-PP2-02, IPS-MV-PP2-03, IPS-MV-PP2-04, IPS-MV-PP2-05, IPS-MV-PP2-06

| Body Material | Stem Type | Stem Packing | Size = Inlet x Outlet | Connections | Threads |
|------------------|-----------|--------------|-----------------------|----------------------|---------------------------|
| C = Carbon Steel | CT | P = PTFE | 24 = 1/4" x 1/4" | MF = Male x Female | N = NPT (ANSI B 1.20.1) |
| S = SS 316 | DS | G = Grafoil | 33 = 3/8" x 3/8" | FF = Female x Female | P = BSPP |
| S4 = SS 304 | | | 44 = 1/2" x 1/2" | SW = Socket weld | (BS 2779, ISO 228/1) |
| SL = SS 316L | | | 66 = 3/4" x 1/2" | FM = Female x Male | B = BSPT (BS 21, ISO 7/1) |
| M4 = Monel 400 | | | 2F = 1/4"x Flange | | |
| M5 = Monel 500 | | | 3F = 3/8"x Flange | | |
| H = Hastelloy C | | | 4F = 1/2"x Flange | | |

Options -

- IE : Handle circular.
- TF : Compliance to NACE standard MR-0175.
- SG : For Oxygen service, valves are supplied cleaned, degreased and suitably packed.
- GH : Material test certificate
- GO : Hydro test certificate
- MBC : Mounting bolts (7/16" UNF) in carbon steel (Model : MBC - M45, MBC - M25)
- MBS : Mounting bolts (7/16" UNF) in SS (Model : MBS - M45, MBS - M25)
- MB : Mounting Bracket
- ATV : Anti Tamper valve
- ATK : Anti Tamper key

Example

To place an order simply refer to the codes in the table.

Valve Type : Body Material + Stem Packing + Size + Connection + Threads + Options

NOTE:

- The weld prepared types are available with female plain end - suitable for socket weld.
- Anti-tamper bonnet - special design on request with locking arrangement if desired.

