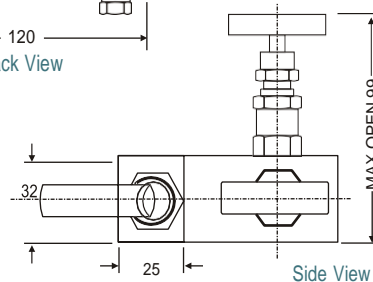
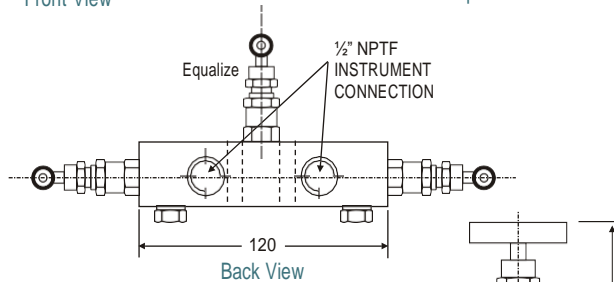
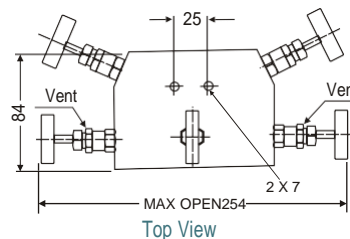
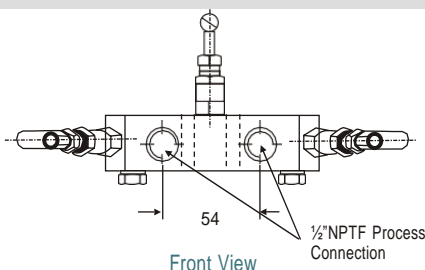
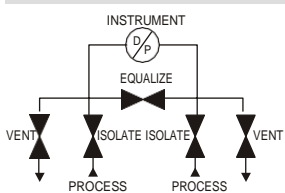


FIVE VALVE MANIFOLDS

REMOTE MOUNT (Pipe to Pipe)

With threaded vertical port inlets and outlets. The isolating and venting bonnets are positioned on the left and right hand side and the equalizing bonnet is positioned on the front side. Designed for remote mounting.

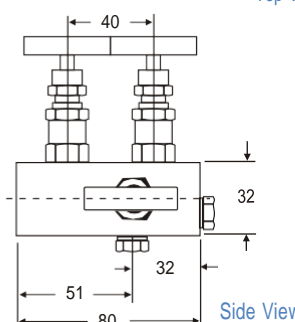
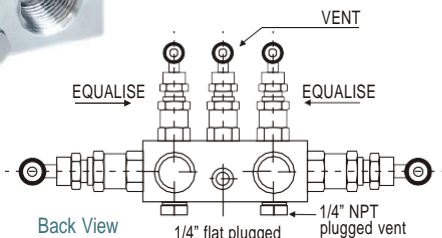
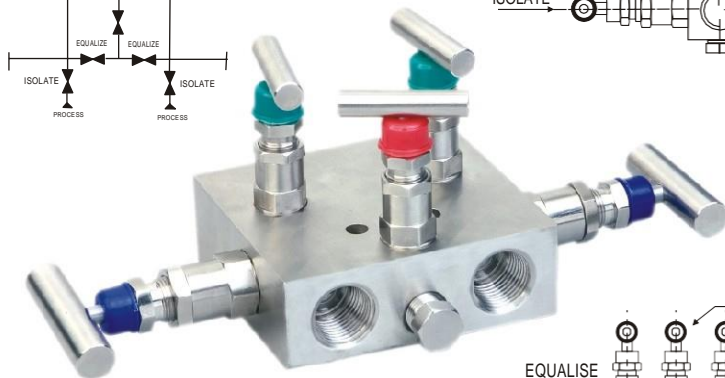
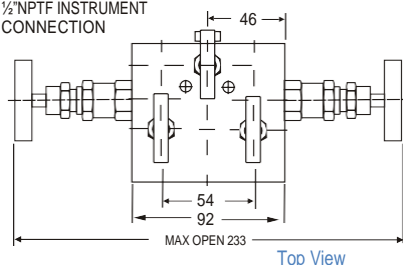
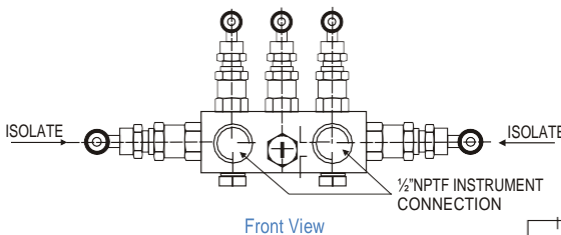
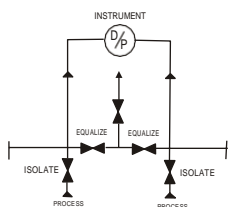


Standard connection

Product	Process side	Instrument side	Vent/Test
IPS-MV-PP5-01	1/2" NPT female	1/2" NPT female	1/4" NPT female

REMOTE MOUNT (Pipe to Pipe)

With threaded vertical port inlets and outlets. The vent/test ports are positioned on the bottom and top of the body. The isolating bonnets are positioned on the left and right hand side and the venting and equalizing bonnets are positioned on the front side. Specially designed for remote mounting to field meters, differential transmitters and chart recorders on gas service allowing fail safe configuration preventing pressure loss from the high to low pressure impulse lines.



Standard connection

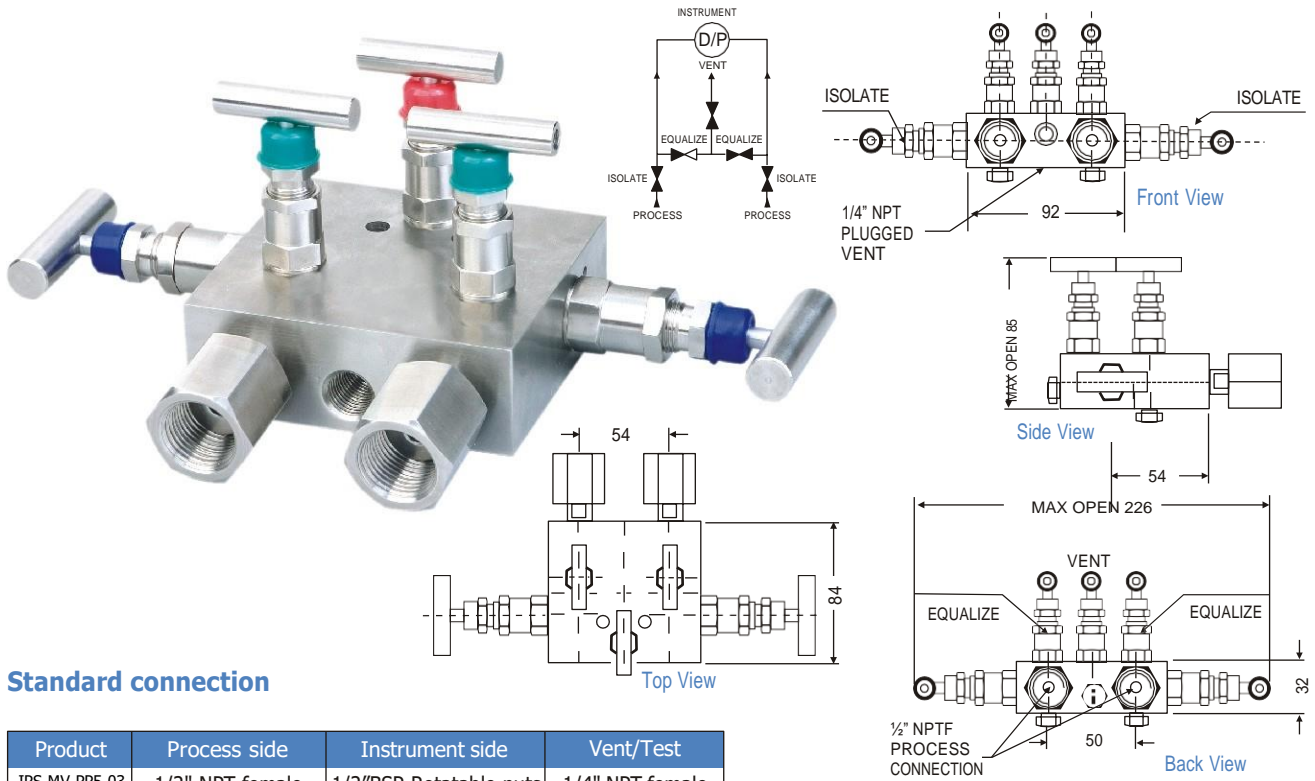
Product	Process Side	Instrument Side	Vent/Test
IPS-MV-PP5-02	1/2" NPT female	1/2" NPT female	1/4" NPT female

FIVE VALVE MANIFOLDS



Series for differential pressure gauges with 2 inlets NPT female at bottom and 2 outlets with rotating nuts on top side. Also available in 50mm tap spacings Series - 5VD50.

IPS-MV-PP5-03



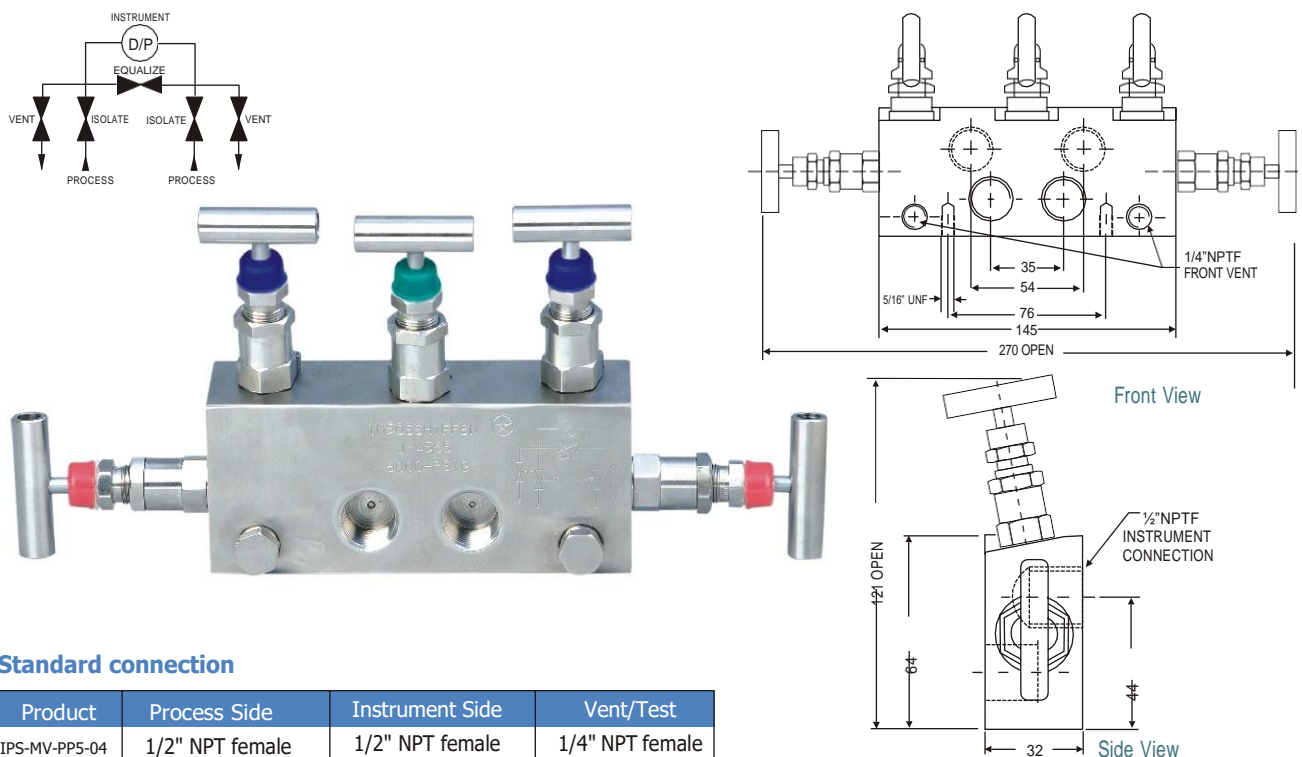
Standard connection

Product	Process side	Instrument side	Vent/Test
IPS-MV-PP5-03	1/2" NPT female	1/2" BSP Rotatable nuts	1/4" NPT female

REMOTE MOUNT (Pipe to Pipe)

IPS-MV-PP5-04

Series designed for complete isolation of instruments-2 inlets NPT female at front, 2 outlets NPT female at back side. Vent/test connection at front, equalizing bonnets and Isolating bonnets on angular top, venting bonnets at left and right side.



Standard connection

Product	Process Side	Instrument Side	Vent/Test
IPS-MV-PP5-04	1/2" NPT female	1/2" NPT female	1/4" NPT female



Industrix Precise Solutions Private Limited

Room No - 303, Bhumika Residency, Plot No-21, Sector-20, Roadpali, Kalamboli, Panvel (Tal.), Raigad (Dist.), Maharashtra, India - 410218.

Mobile: +91 99309 98399 / +91 99674 97447

E-mail: admin@ipspl.in / sales@ipspl.in Website: www.ipspl.in

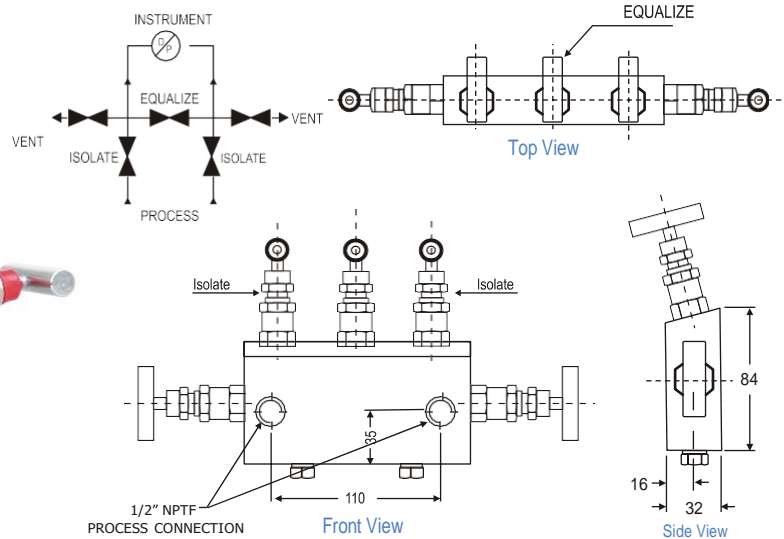
CIN : U52399MH2021PTC368555

FIVE VALVE MANIFOLDS



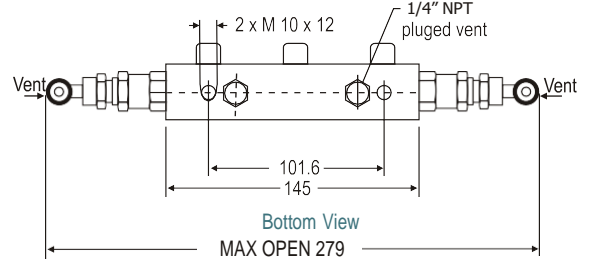
IPS-MV-PP5-05

Model designed for complete isolation of instruments with NPT female inlets /outlets. Vent/test connection at bottom; equalizing bonnet angular on top-isolating bonnets angular on top venting bonnets at left and right side.



Standard connection

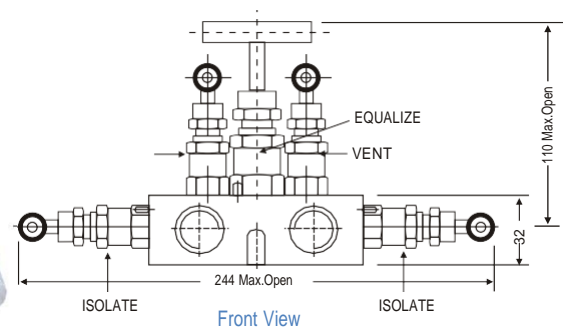
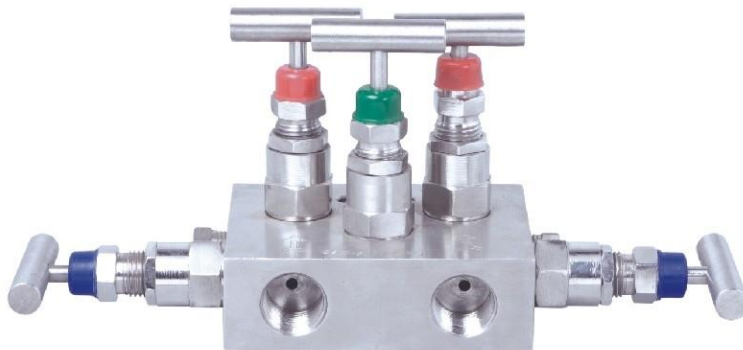
Product	Process Side	Instrument Side	Vent/Test
IPS-MV-PP5-05	1/2" NPT	1/2" NPT female	1/4" NPT female



REMOTE MOUNT (Pipe to Pipe)

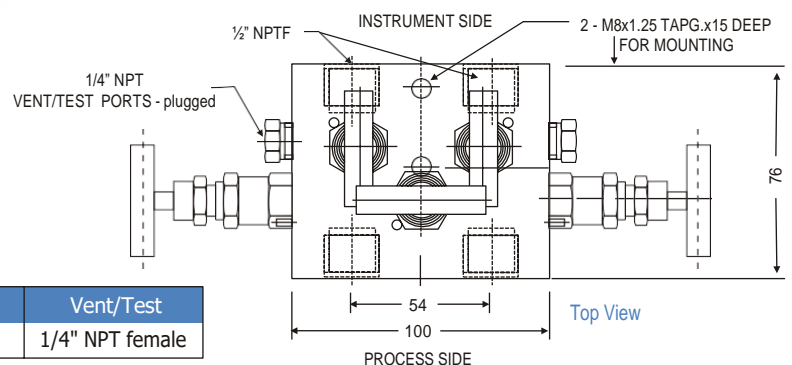
IPS-MV-PP5-06

With threaded female ports on front side and back side for instrument and process connections. The two vent bonnets along with equalizing bonnet are positioned on the top side. The two isolation bonnets are positioned on left and right hand sides.



Standard connection

Product	Process Side	Instrument Side	Vent/Test
IPS-MV-PP5-06	1/2" NPT female	1/2" NPT female	1/4" NPT female



Industrix Precise Solutions Private Limited

Room No – 303, Bhumika Residency, Plot No-21, Sector-20, Roadpali, Kalamboli, Panvel (Tal.), Raigad (Dist.), Maharashtra, India – 410218.

Mobile: +91 99309 98399 / +91 99674 97447

E-mail: admin@ipspl.in / sales@ipspl.in Website: www.ipspl.in

CIN : U52399MH2021PTC368555



Specifications - Standard Version IPS-MV-PP5-01, IPS-MV-PP5-02, IPS-MV-PP5-03, IPS-MV-PP5-04, IPS-MV-PP5-05, IPS-MV-PP5-06

Body	: SS 316
Stem	: SS 316
Valve assembly	: SS 316
'T' bar handle	: SS 304
Maximum working pressure	: 6000 PSI
Maximum working temperature	: 240°C
Packing	: PTFE
Type of stem	: Type CT; Stem with conical metal tip
Drain port	: 1/4" NPT [F]; provided with SS 316 plug
Bracket mounting holes	: 2 Nos.
Hard Chrome plating	: Provided on stem tip.

How to order : IPS-MV-PP5-01, IPS-MV-PP5-02, IPS-MV-PP5-03, IPS-MV-PP5-04, IPS-MV-PP5-05, IPS-MV-PP5-06

Body Material	Stem Type	Stem Packing	Size = Inlet x Outlet	Connections	Threads
C = Carbon Steel	CT	P = PTFE	44= 1/2" x 1/2" (std)	FF = Female x Female	N = NPT (ANSI B 1.20.1)
S = SS 316	DS	G = Grafoil	24= 1/4" x 1/4"	FR = Female x Female	P = BSPP
S4 = SS 304				Rotating	(BS 2779, ISO 228/1)
SL = SS 316L				SW = Socket weld	B = BSPT (BS 21, ISO 7/1)
M4 = Monel 400				MR = Male x Female	
M5 = Monel 500				Rotating	
H = Hastelloy C					

Options -

- IE : Handle circular.
- TF : Compliance to NACE standard MR-0175.
- SG : For Oxygen service, valves are supplied cleaned, degreased and suitably packed.
- GH : Material test certificate
- GO : Hydro test certificate
- MB : Mounting Bracket
- MBC : Mounting bolts (7/16" UNF) in carbon steel (Model : MBC - M45, MBC - M25)
- MBS : Mounting bolts (7/16" UNF) in SS (Model : MBS - M45, MBS - M25)
- BLD4 : Bleeder 1/4" NPT (Male)
- ATV : Anti Tamper valve
- ATK : Anti Tamper key

Example

To place an order simply refer to the codes in the table.

Valve Type : Body Material + Stem Packing + Size + Connection + Threads + Options

NOTE:

- The weld prepared types are available with female plain end - suitable for socket weld.
- Anti-tamper bonnet - special design on request with locking arrangement if desired.

