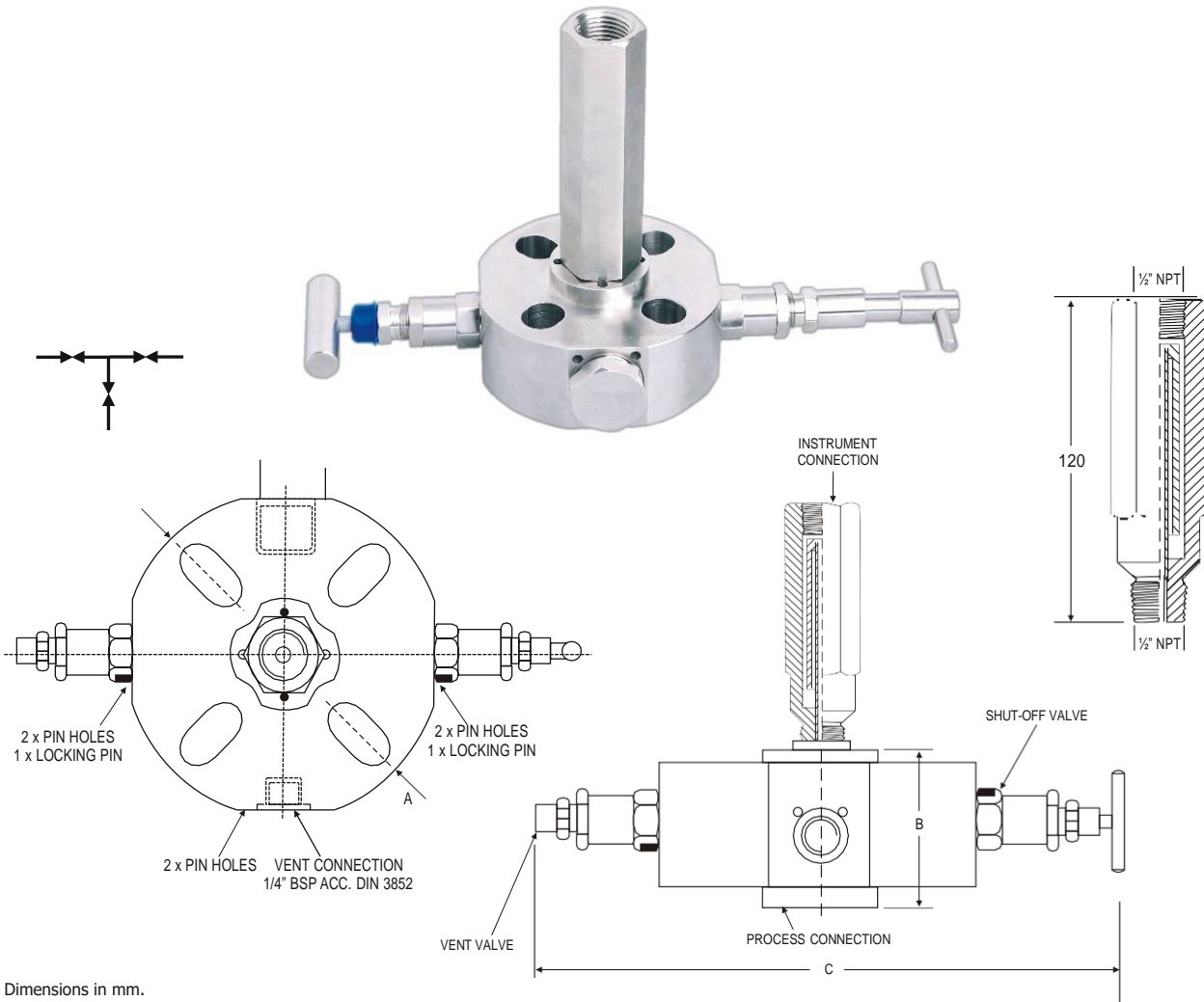


MONOFLANGE SINGLE BLOCK & BLEED VALVE WITH SYPHONE



IPS-MF-SBBS-01

Monoflange Single Block & Bleed Valve with Syphone needle type pattern valve with non rotating spindle tip for positive bubble tight shut off function. Inlet Flange, outlet NPT or BSP syphone. Vent/test connection NPT female, isolating bonnet on right and venting bonnet at left - instrument connection on top side. It is supplied with a built in syphon tube system.



Dimensions in mm.

Monoflange Valves offer a compact alternative to traditional multi-valve assemblies, reducing weight, cost and the number of potential leak paths.

PTFE or Graphoil Stem Seal.

Outlet/Drain Screwed NPT - BSPP - BSPT.

Inlet Flanged RF or RTJ.

Other materials on request.

Material available : SS304 - SS316 - CARBON STEEL - MONEL 400 - MONEL 500

MONOFLANGE BLOCK AND BLEED VALVE (FLANGED X SCREWED)

SIZE	150LB			300LB			600LB			900/1500LB			2500LB		
	A	B	C	A	B	C	A	B	C	A	B	C	A	B	C
1/2	95	45	205	95	45	205	95	50	205	121	50	231	133	50	243
3/4	98	45	205	117	45	227	117	50	227	130	50	240	140	50	250
1	108	45	218	124	45	234	124	50	234	149	50	259	159	50	269
1.1/2	127	50	237	156	50	266	156	55	266	178	55	288	203	55	313
2	152	50	262	165	50	275	165	60	275	216	60	326	235	60	345

For Further details please contact factory.



Industrix Precise Solutions Private Limited

Room No – 303, Bhumika Residency, Plot No-21, Sector-20, Roadpali, Kalamboli, Panvel (Tal.), Raigad (Dist.), Maharashtra, India – 410218.

Mobile: +91 99309 98399 / +91 99674 97447

E-mail: admin@ipspl.in / sales@ipspl.in Website: www.ipspl.in

CIN : U52399MH2021PTC368555