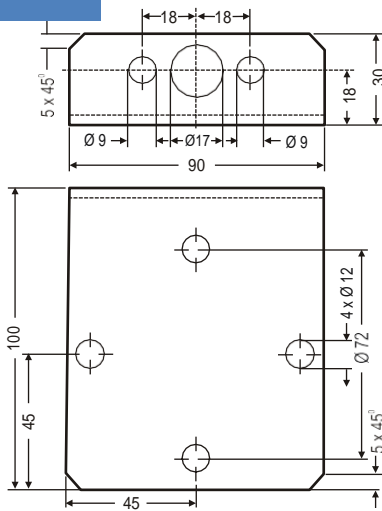
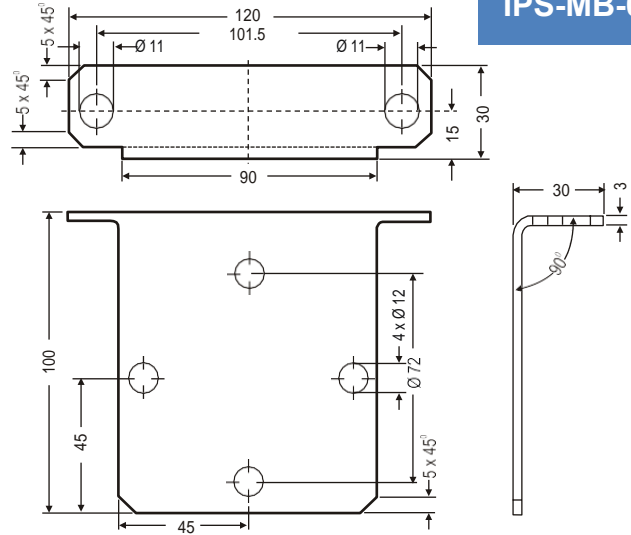




IPS-MB-01



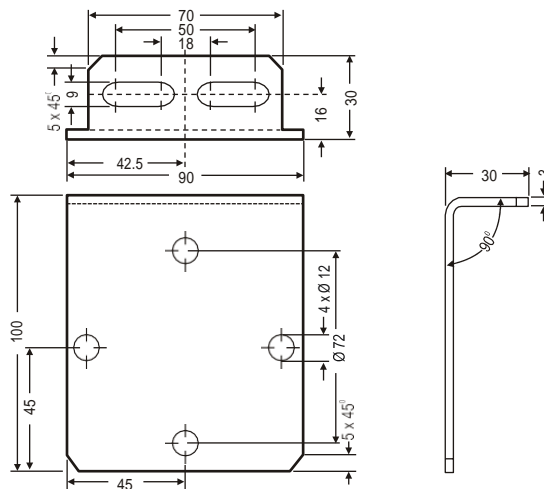
IPS-MB-02



Mounting bracket for : **IPS-MV-PF3-01**

Mounting bracket for : **IPS-MV-PF3-03, IPS-MV-PF3-04, IPS-MV-PF5-01, IPS-MV-PF5-02**

IPS-MB-01



Mounting bracket for :

IPS-MV-PP2-01, IPS-MV-PP2-03, IPS-MV-PF3-01, IPS-MV-PP3-05, IPS-MV-PF3-07, IPS-MV-PF3-08, IPS-MV-PP5-01, IPS-MV-PP5-02, IPS-MV-PF5-03, IPS-MV-PF5-04, IPS-MV-PF5-06

Mounting bracket set will be delivered with 2" U-bolt and nuts.